

# Series AMER150-CAZ

up to 6.3A | AC-DC / DC-DC | LED Driver / Converter



## FEATURES:

- Constant Current or Constant Voltage LED Driver or Converter
- Input range 90-305VAC/47-440Hz
- High Efficiency up to 89%
- 115VAC Operating temperature -50 to 75°C
- 230VAC Operating temperature -55 to 75°C
- Dimmable via resistive
- 5 Year Limited Warranty
- Over Voltage Protection
- Over Current Protection
- Waterproof Case rated IP68
- Power Factor Correction
- Short Circuit Protection



**Models**  
**Single output**

Model	Max Output Power (W) <sup>①</sup>	Output Voltage Range (V) <sup>③</sup>	Output Current (A) <sup>③</sup>	Input Voltage (VAC/Hz)	Input Voltage (VDC)	Mode of Operation	Efficiency (%)		
							115 VAC	230 VAC	277 VAC
AMER150-50300CAZ	150	36-50	0-3	90-305/47-440	130-430	Constant Current	87	89	89
						Constant Voltage <sup>②</sup>	87	88	89
AMER150-36420CAZ	150	24-36	0-4.16	90-305/47-440	130-430	Constant Current	86	88	88
						Constant Voltage <sup>②</sup>	86	88	88
AMER150-24630CAZ	151.2	12-24	0-6.3	90-305/47-440	130-430	Constant Current	85	87	87
						Constant Voltage <sup>②</sup>	85	87	87

Add Suffix "-F" No dimming option

① Exceeding the maximum output power will permanently damage the converter

② The dimming feature is not supported when units are used in Constant Voltage mode only, Aimtec suggests to order "-F" No dimming option in this case.

③ In constant current mode output current is maximum shown, in constant voltage mode output voltage is the maximum shown.

All models can be ordered with optional North American colour input wires (black (L), white (N), green (GND)). Add "-NA" to part number when ordering.

NOTE: Aimtec limited warranty of 5 years is valid based on product operation at datasheet specifications at ambient temperature of 25°C, humidity<75%, nominal input voltage (115/230/277VAC) and at rated output load unless otherwise specified. See <http://www.aimtec.com/terms-sale> AMER150-CAZ's AC/DC LED drivers have electrical safeguards designed within to protect it from conventional electrical abnormalities with the levels listed in the safety table. Applications for use within rural agricultural, heavy industrial, and other areas or regions which are prone to 'dirty' electrical conditions which would subject any of the above models to excessive voltages surges or spikes, may damage or cause early life failure of product. In this case consideration should be made by the end user to ensure that adequate line or mains surge suppression is installed in front of Aimtec device to ensure the longevity of the products. Failure to identify excessive line surges violations prior to installation may damage sensitive equipment permanently.

## Input Specifications

Parameters	Conditions	Typical	Maximum	Units
Current (full load)	115 VAC		2000	mA
	230 VAC		1000	mA
	277 VAC		900	mA
Inrush current <2ms (cold start)	115 VAC		50	A
	230 VAC		75	A
	277 VAC		90	A
Leakage current	I/O		0.25	mA
	I/FG, O/FG		3.5	mA
Power factor	115 VAC	0.98		
	230 VAC	0.94		
	277 VAC	0.92		
External fuse	Recommended slow blow type	3.5		A
Start-up time		900		ms

## Output Specifications

Parameters	Conditions	Typical	Maximum	Units
Current accuracy		±3		%
Line regulation	LL-HL	±2		%
Load regulation	0-100% load	±3		%
Ripple & Noise <sup>④</sup>		200		mV p-p
Hold-up time (min)		40		ms
Current adjustment range <sup>⑤</sup>		100-10		%

<sup>④</sup> Ripple and Noise are measured at 20MHz bandwidth by using a 0.1µF (M/C) or (C/C) and 47µF (E/C) parallel capacitor.

<sup>⑤</sup>Note: from 0% to 10% dimming adjustment signal instability may be present.

## Isolation Specifications

Parameters	Conditions	Typical	Maximum	Units
Tested voltage	I/O	3sec	3750	VAC
	I/FG		2000	VAC
	O/FG		500	VAC
Isolation resistance	500 VDC	>1000		MΩ

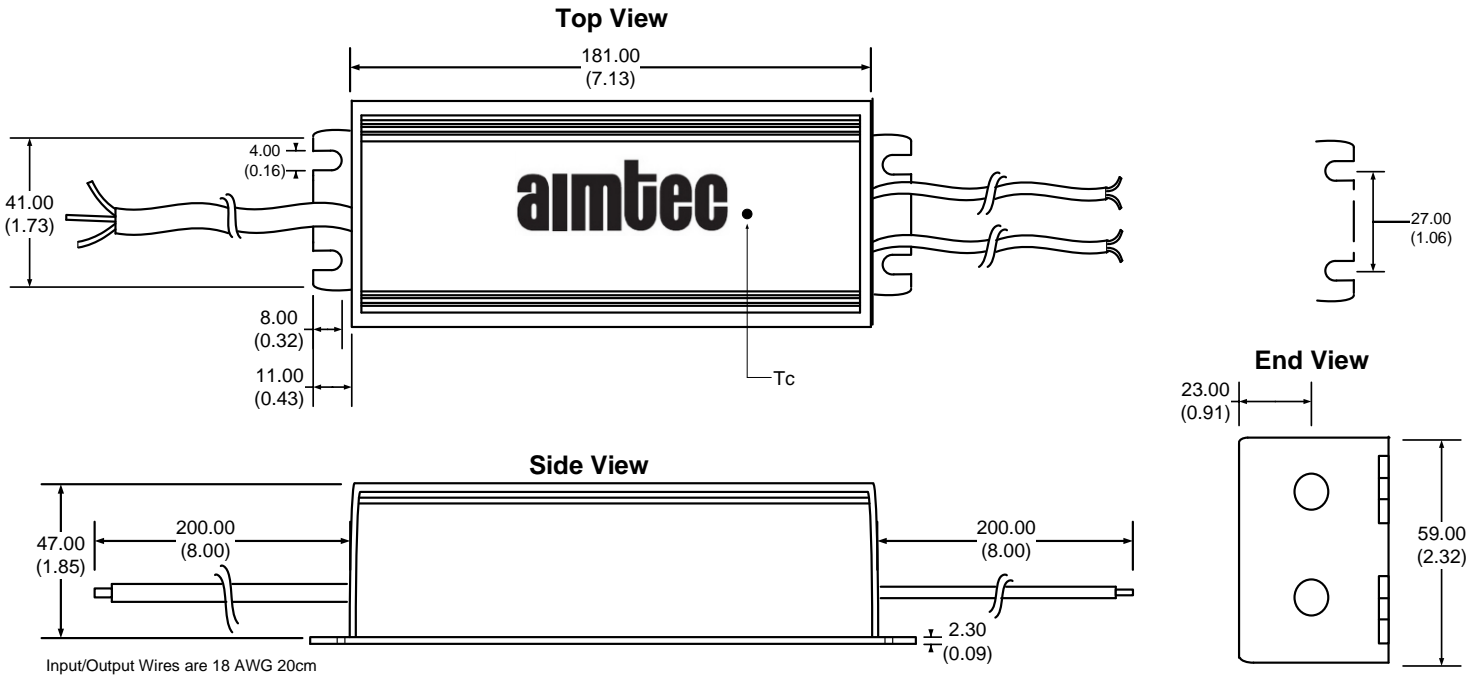
## General Specifications

Parameters	Conditions	Typical	Maximum	Units
Switching frequency		100		KHz
Over current protection	AMER150-50300CAZ		3.07	A
	AMER150-36420CAZ		4.27	
	AMER150-24630CAZ		6.37	
Over voltage protection	Refer to Constant Current vs. Constant Voltage Mode curve			
Short circuit protection	Auto recovery			
Operating temperature (See Derating Table)	(115VAC)	-50 to +75		°C
	(230VAC)	-55 to +75		°C
Cold Start-up Time	-55°C		20	Sec
Maximum case temperature			100	°C
Storage temperature		-55 to +95		°C
Temperature coefficient		±0.02		% / °C
Cooling	Free air convection			
Humidity			95	% RH
Case material	Aluminum			
Potting	Epoxy (IP68 rated)			
Wires	UL1015 18AWG Input & 14AWG Output *20CM			
Weight		900		g
Dimensions (L X H X W)	7.13 x 2.32 x 1.85 inches	181.00 x 59.00 x 47.00 mm		
MTBF	>400,000 hrs (MIL-HDBK-217F at +25°C)			

## Safety Specifications

Parameters		
Agency approvals	Designed to meet UL, CE	
Standards	UL8750, UL60950-1, EN55022, class B, EN60529(IP68)	
	Information Technology Equipment	EN55022 Class B
	Harmonic Current Emissions	IEC/EN 61000-3-2, Class C
	Voltage fluctuations and flicker	IEC/EN 61000-3-3, (EN60555-3)
	Electrostatic Discharge Immunity	IEC 61000-4-2 Level 3
	RF, Electromagnetic Field Immunity	IEC 61000-4-3 Level 2
	Electrical Fast Transient / Burst Immunity	IEC 61000-4-4 Level 2
	Surge Immunity	IEC 61000-4-5 Level 3
	RF, Conducted Disturbance Immunity	IEC 61000-4-6 Level 2
	Power frequency Magnetic Field Immunity	IEC 61000-4-8 Level 1
	Voltage dips, Short Interruptions Immunity	IEC 61000-4-11

**Dimensions**

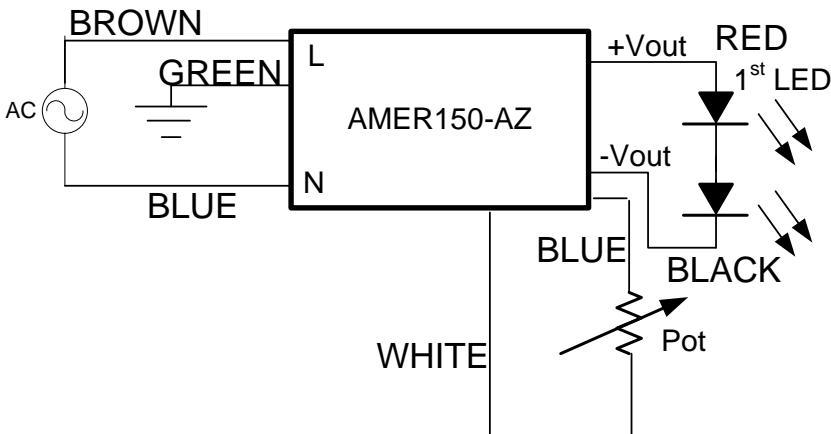


Measurements in Millimeters (inch)  
 Case Tolerance:  $\pm 0.5$  ( $\pm 0.02$ )

**Wire connection:**

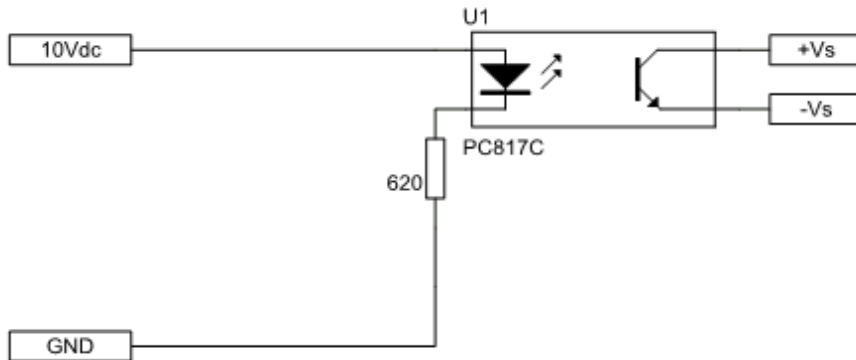
Wire	Connection
Brown	AC L
Blue	AC N
Green	Ground
Red	+V output
Black	-V Output
Blue (Dimming)	+ Vs dimming
White (Dimming)	-Vs dimming

**Analog (resistive) Dimming Application Circuit**

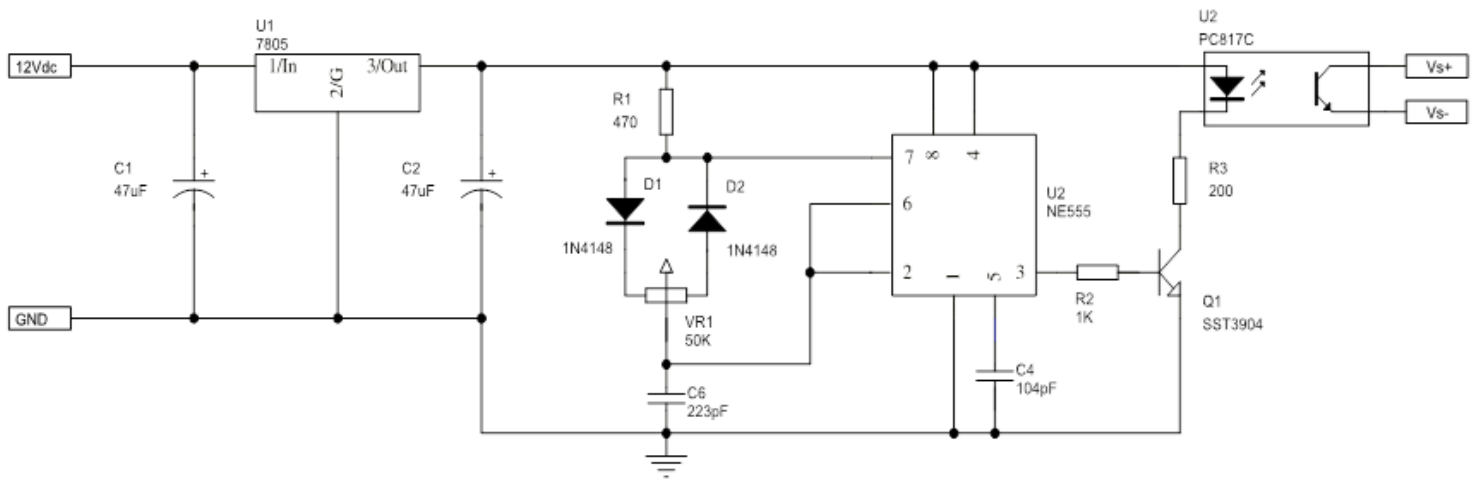


Model Number	Maximum Pot Value (k $\Omega$ )
AMER150-50300CAZ	16.71
AMER150-36420CAZ	26.70
AMER150-24630CAZ	11.47

### Analog (0-10V) Dimming Application Circuit



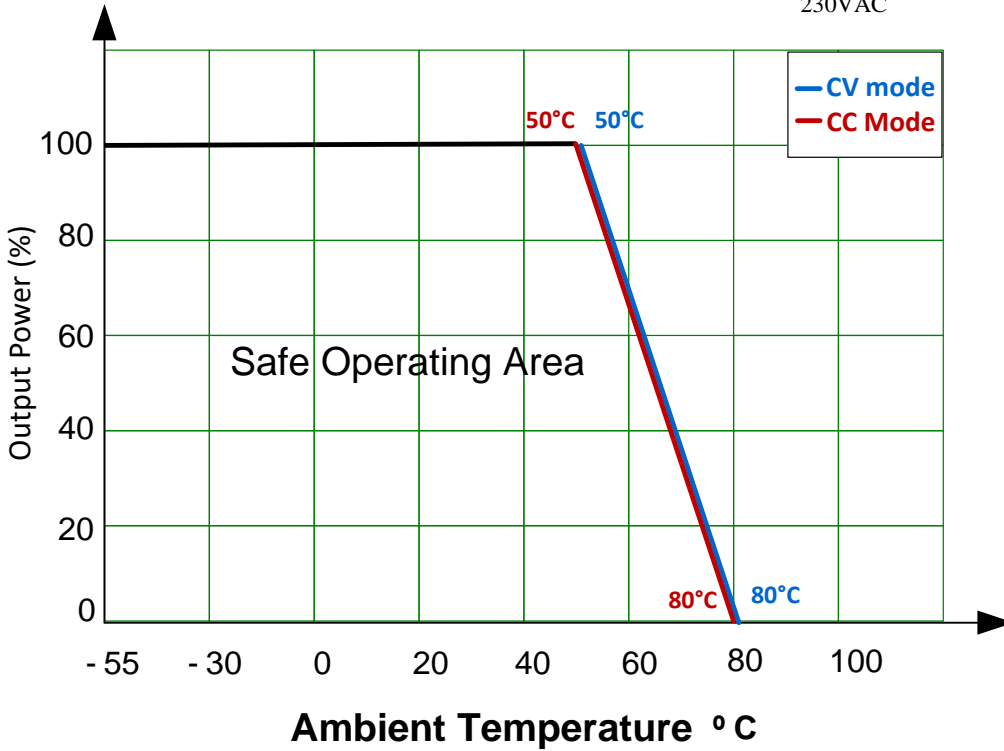
### PWM (1KHz) Dimming Application Circuit



**Derating**

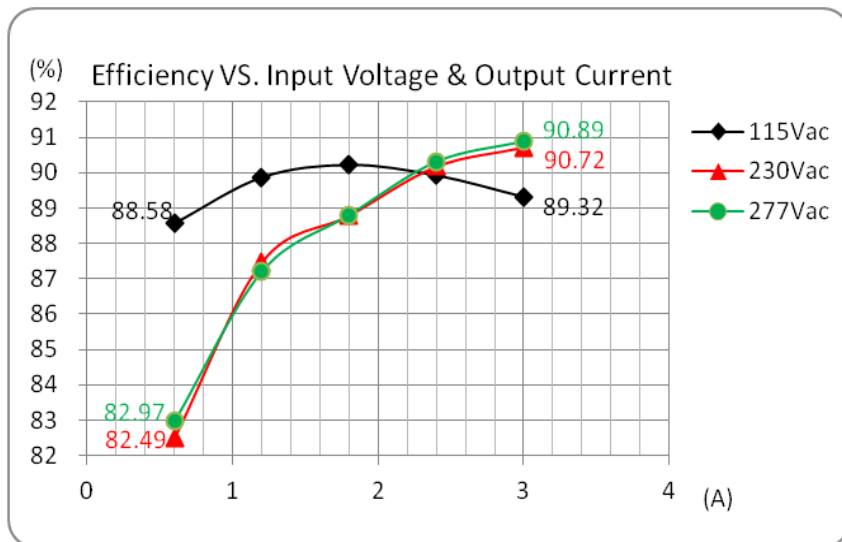
**Free Air Convection**

230VAC

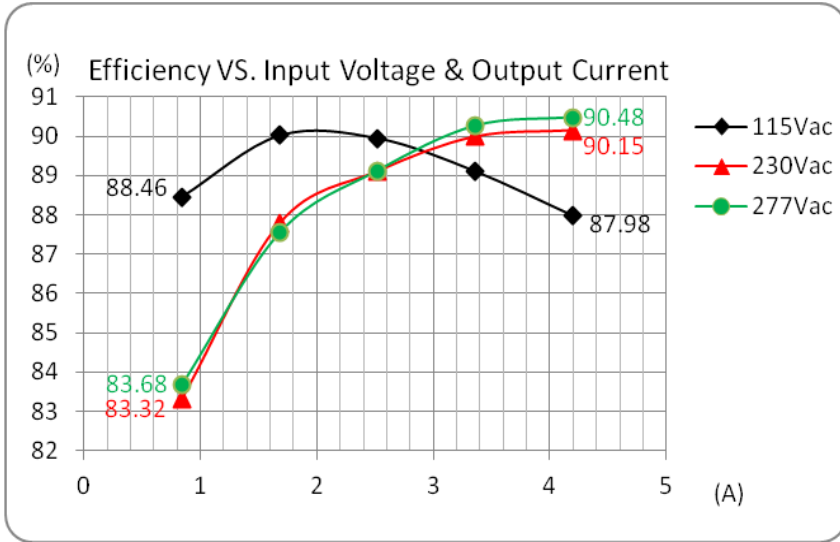


**Efficiency vs. Input Voltage & Output Current (CC mode)**

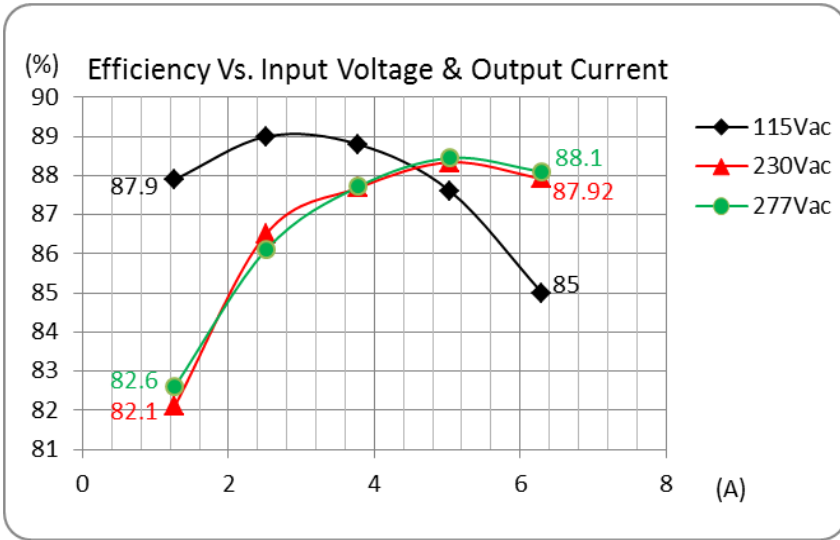
AMER150-50300CAZ



AMER150-36420CAZ

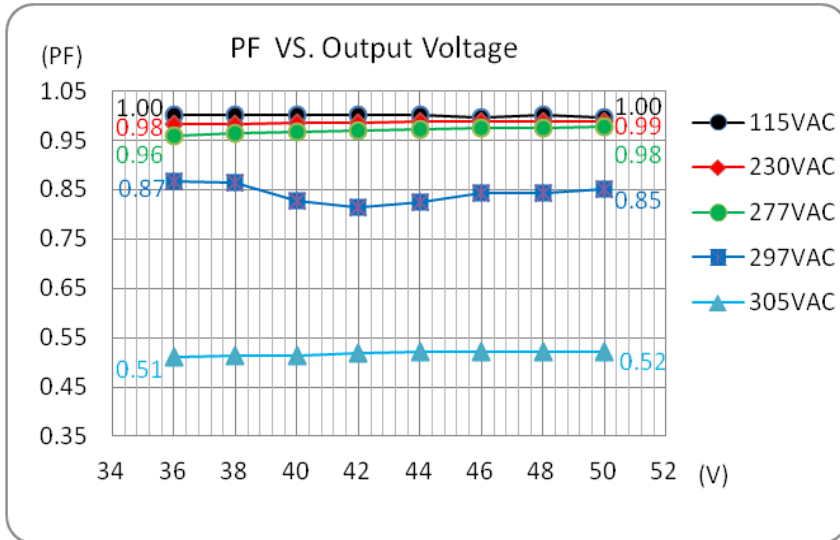


AMER150-24630CAZ

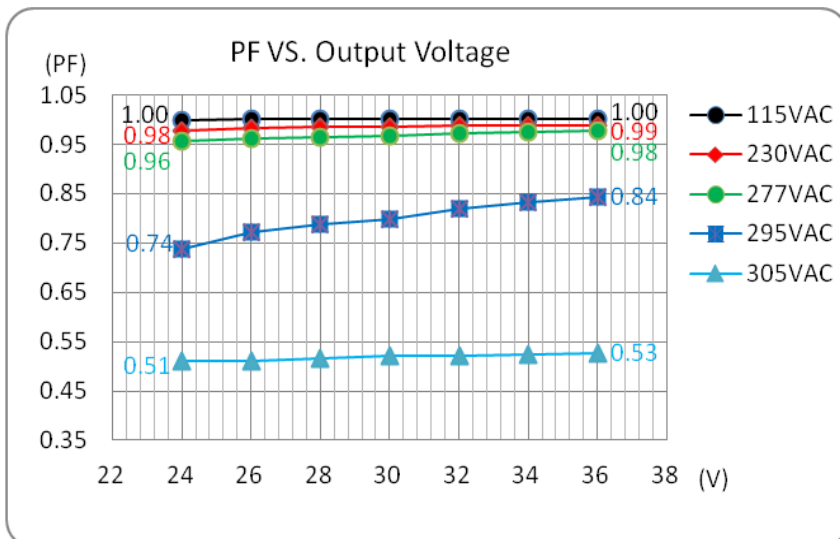


**PFC value vs. Output Load Current (CC mode)**

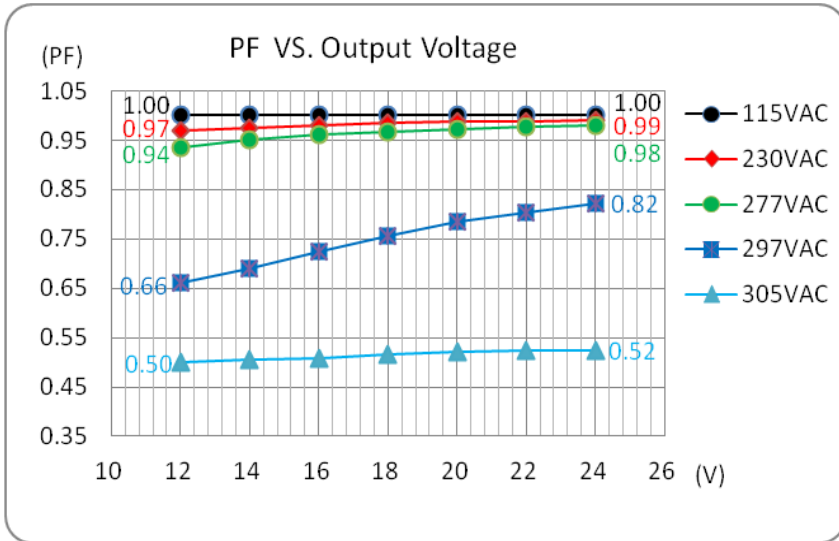
AMER150-50300CAZ



AMER150-36420CAZ

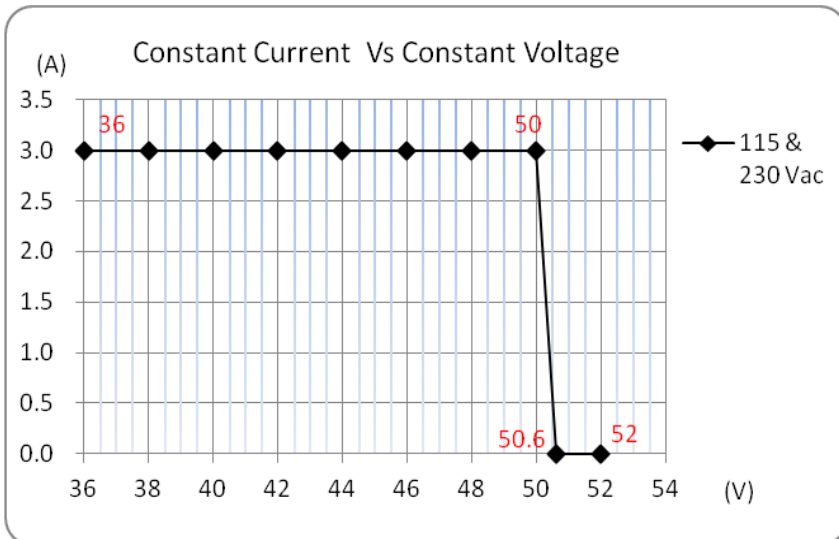


AMER150-24630CAZ



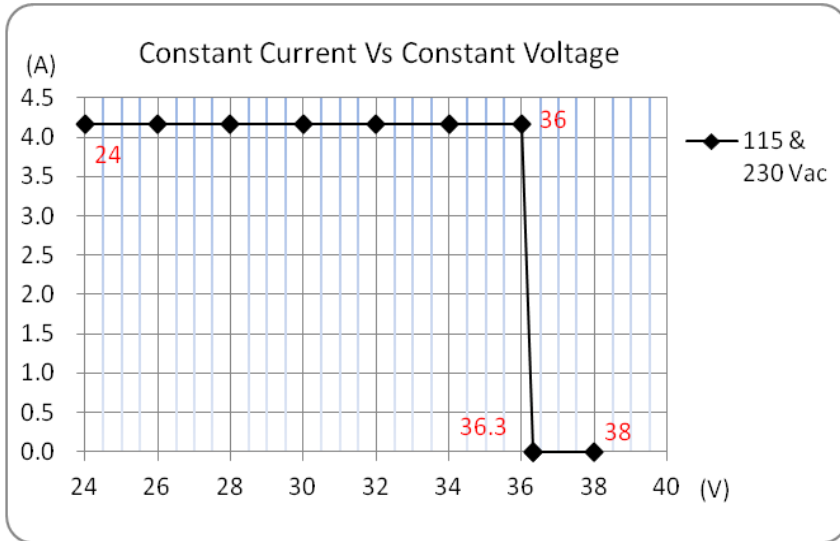
**Constant Current vs. Constant Voltage Mode**

AMER150-50300CAZ

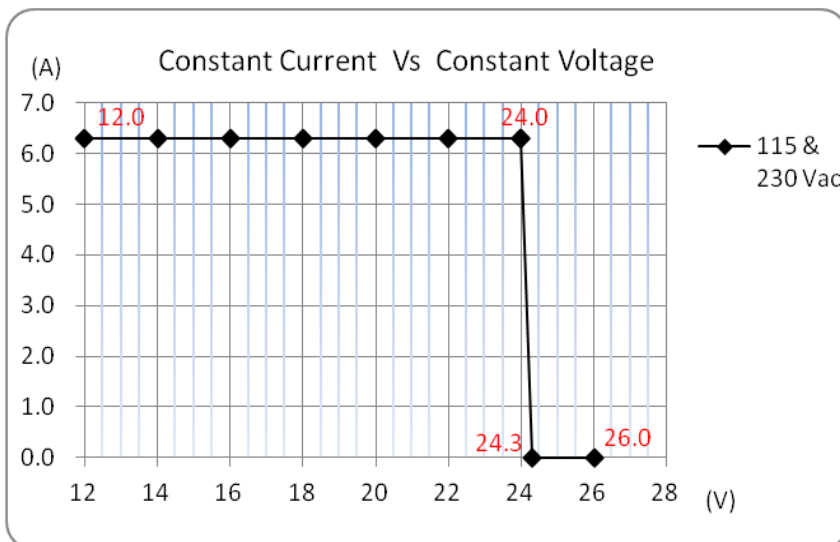




AMER150-36420CAZ

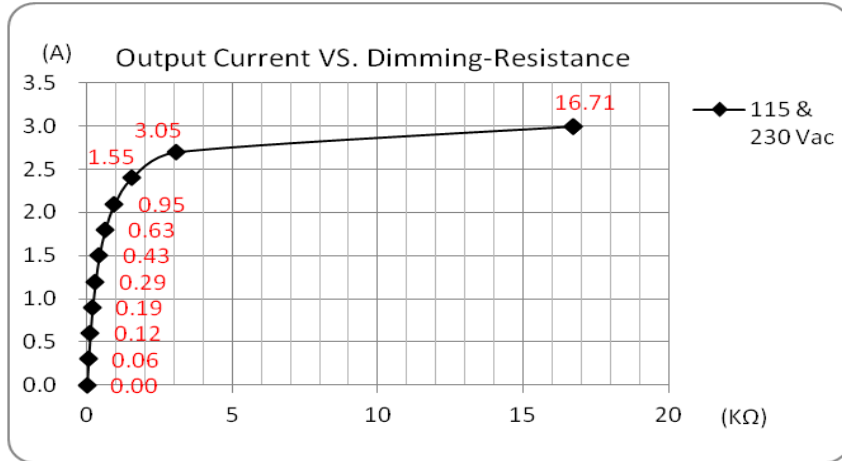


AMER150-24630CAZ

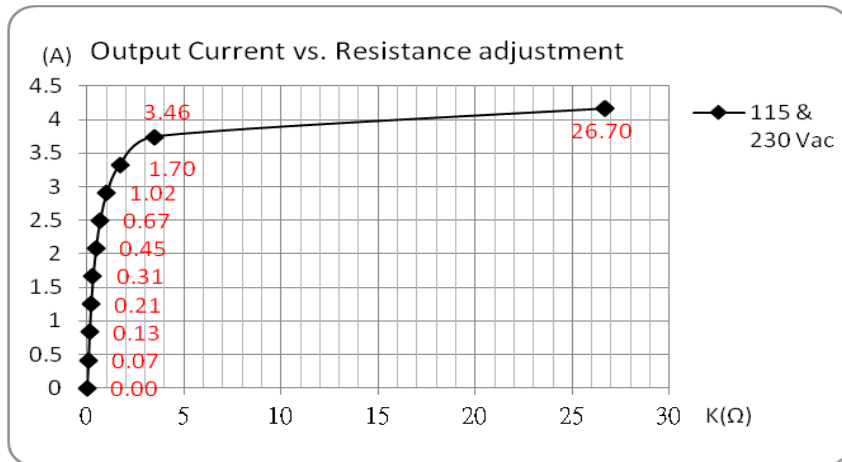


**Output Current vs. Radj**

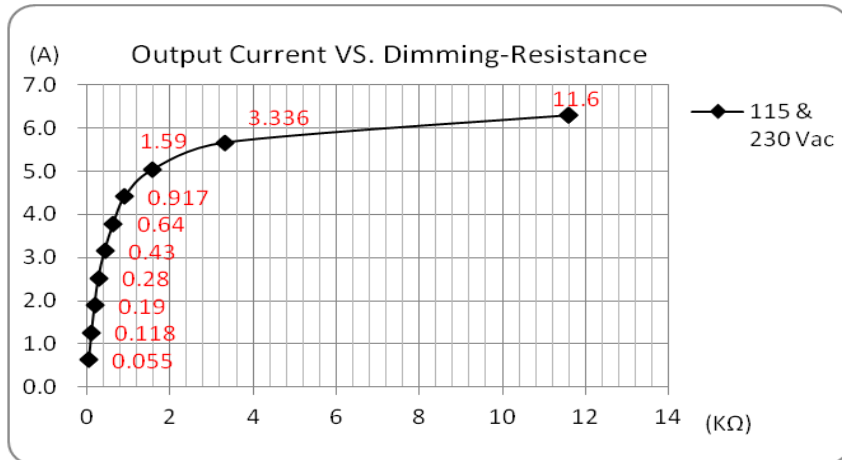
AMER150-50300CAZ



AMER150-36420CAZ



AMER150-24630CAZ



**NOTE:** 1. Datasheets are updated as needed and as such, specifications are subject to change without notice. Once printed or downloaded, datasheets are no longer controlled by Aimtec; refer to [www.aimtec.com](http://www.aimtec.com) for the most current product specifications. 2. Product labels shown, including safety agency certifications on labels, may vary based on the date manufactured. 3. Mechanical drawings and specifications are for reference only. 4. All specifications are measured at an ambient temperature of 25°C, humidity<75%, nominal input voltage and at rated output load unless otherwise specified. 5. Aimtec may not have conducted destructive testing or chemical analysis on all internal components and chemicals at the time of publishing this document. CAS numbers and other limited information are considered proprietary and may not be available for release. 6. This

product is not designed for use in critical life support systems, equipment used in hazardous environments, nuclear control systems or other such applications which necessitate specific safety and regulatory standards other the ones listed in this datasheet. **7.** Warranty is in accordance with Aimtec's standard Terms of Sale available at [www.aimtec.com](http://www.aimtec.com).