



FEATURES:

- I/O Isolation up to 3500VAC
- Efficiency up to 81%
- Ultra-low Isolation capacitance
- SIP 7 Multiple Manufacturers pin compatible
- Extended temperature range: -40 to +105°C
- Continuous short circuit protection

Models
Dual output



Model	Input Voltage (V)	Input current FL (mA)	Output Voltage (V)	Output Current max (mA)	Max Capacitive Load (uF)	Efficiency (%)
AM2DG-121508DH30-NZ	9 - 15	223	+15 (14 ~ 16) / -8 (-7 ~ -9)	+100/-80	220	80
AM2DG-12158.7DH30-NZ	11.6 - 12.4	162	+15 (14 ~ 16) / -8.7 (-7 ~ -10)	+80/-40	220	80
AM2DG-15158.7DH30-NZ	14.5 - 15.5	130	+15 (14 ~ 16) / -8.7 (-7 ~ -10)	+80/-40	220	80
AM2DG-15178.7DH30-NZ	14.5 - 15.5	143	+17 (16.5 ~ 18) / -8.7 (-7 ~ -10)	+80/-40	220	80
AM2DG-24158.7DH30-NZ	23.3 - 24.7	81	+15 (14 ~ 16) / -8.7 (-7 ~ -10)	+80/-40	220	80
AM2DG-12153.5DH35-NZ	10.8-13.2	210	+15 (14.4 ~ 15.9) / -3.5 (-3.3 ~ -4)	+111/-111	220	81

NOTE: All specifications in this datasheet are measured at an ambient temperature of 25°C, humidity<75%, nominal input voltage and at rated output load unless otherwise specified.

Input Specifications

Parameters	Nominal	Typical	Maximum	Units
Voltage range	12	9 - 15 11.6 - 12.4 10.8 - 13.2		VDC
	15	14.5 - 15.5		
	24	23.3 - 24.7		
Filter	Capacitor			
Absolute Maximum Rating	12		-0.7 - 15 -0.7 - 13 -0.7 - 18	VDC
	15		-0.7 - 16	
	24		-0.7 - 26	
Peak Input Voltage time			1000	ms
No Load Input Current	AM2DG-12153.5DH35-NZ		15	mA
	Others		20	

Isolation Specifications

Parameters	Conditions	Typical	Maximum	Units
Tested I/O voltage	60sec, <1mA	AM2DG-12153.5DH35-NZ	3500	VAC
		Others	3000	
Resistance		>1000		MOhm
Capacitance	100KHz/0.1V		3.5	pF
			6.6	

Output Specifications

Parameters	Conditions	Typical	Maximum	Units
Voltage accuracy	See tolerance graph			
Short Circuit protection	Continuous, auto restart			
Line voltage regulation	AM2DG-12153.5DH35-NZ	±1.1	±1.2	% of Vin
	Others	±1.2		
Load voltage regulation	10 - 100% load	AM2DG-12153.5DH35-NZ	+7/-10	%
		Others	±10	
Temperature coefficient	Full load		±0.03	%/°C
Ripple & Noise	20MHz Bandwidth	AM2DG-12153.5DH35-NZ	+120/-80	mV p-p
		Others	100	

General Specifications

Parameters	Conditions	Typical	Maximum	Units
Switching frequency	100% load	AM2DG-12153.5DH35-NZ 67		KHz
		Others 100	300	
Operating temperature	Derating above 85°C		-40 to +105	°C
Storage temperature			-55 to +125	°C
Maximum case temperature			105	°C
Cooling	Free air convection			
Humidity			95	% RH
Case material	AM2DG-12153.5DH35-NZ		Non-conductive black plastic	
	Others		Non-conductive black plastic (UL94V-0 rated)	
Weight	4.3			g
Dimensions (L x W x H)	0.77 x 0.39 x 0.49 inches		19.50 x 9.80 x 12.50 mm	
MTBF	>3,500,000hrs (MIL-HDBK -217F, Ground Benign, t=+25°C)			
Maximum soldering temperature	1.5 mm from case for 10sec		300	°C

Safety Specifications

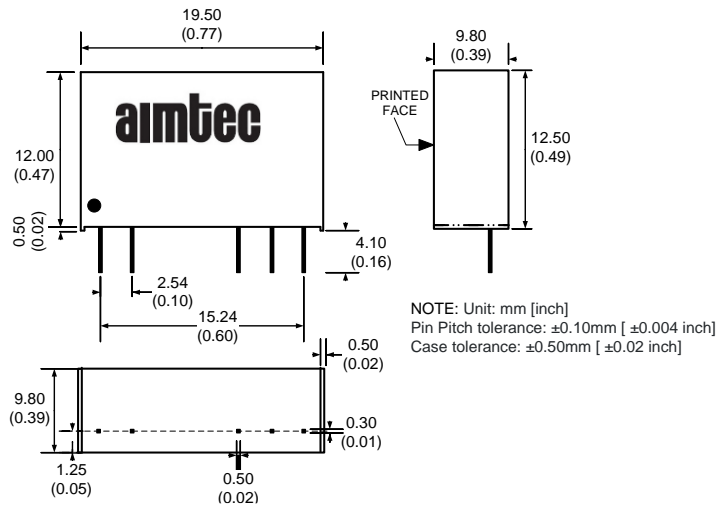
Parameters	
Approvals	UL
Standards	UL60950-1 for models with 3000VDC isolation only
	EN55032 Class B (see recommended circuit)
	IEC61000-4-2, Perf. Criteria B (ESD Contact ±8KV) for models with 3000VDC isolation IEC61000-4-2, Perf. Criteria B (ESD Contact ±6KV) for models with 3500VDC isolation

Pin Out Specifications

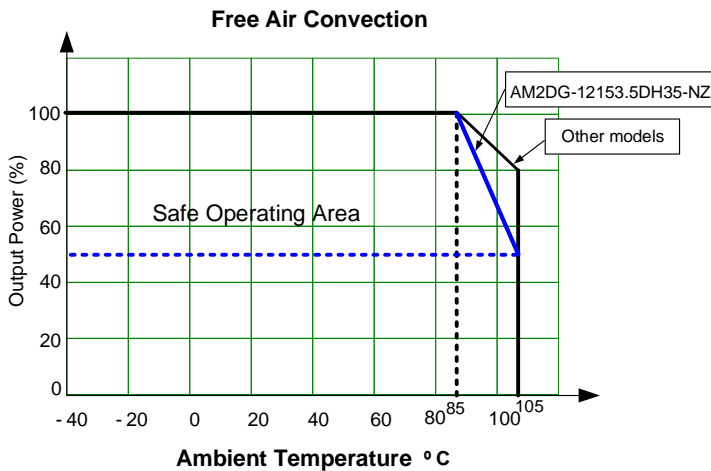
Pin	Single	Dual
1	+ V Input	+ V Input
2	- V Input	- V Input
5	- V Output	- V Output
6	N. C.*	Common
7	+ V Output	+ V Output

* N.C. Not Connected

Dimensions



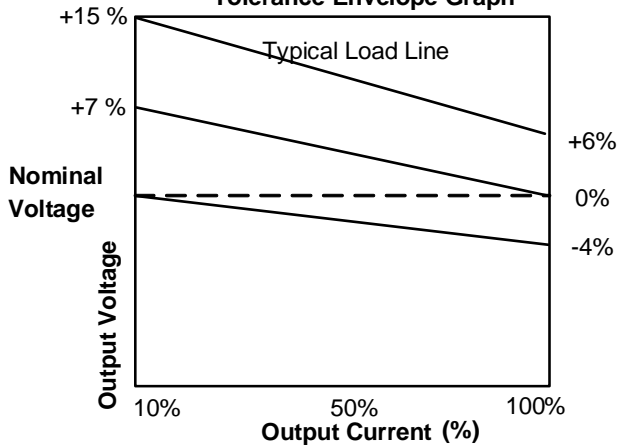
Derating



Tolerance Graph

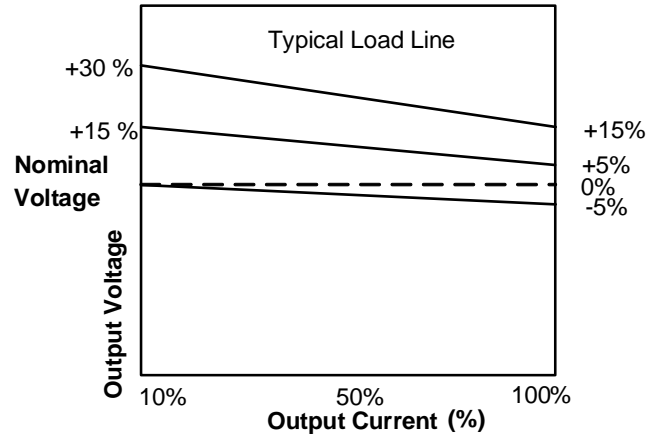
AM2DG-12153.5DH35-NZ +Vo

Tolerance Envelope Graph



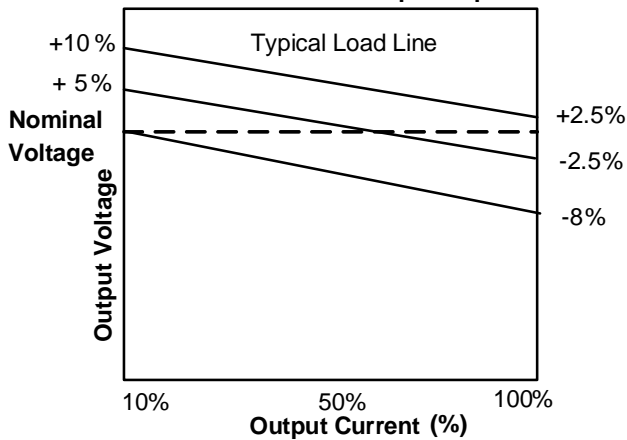
AM2DG-12153.5DH35-NZ -Vo

Tolerance Envelope Graph

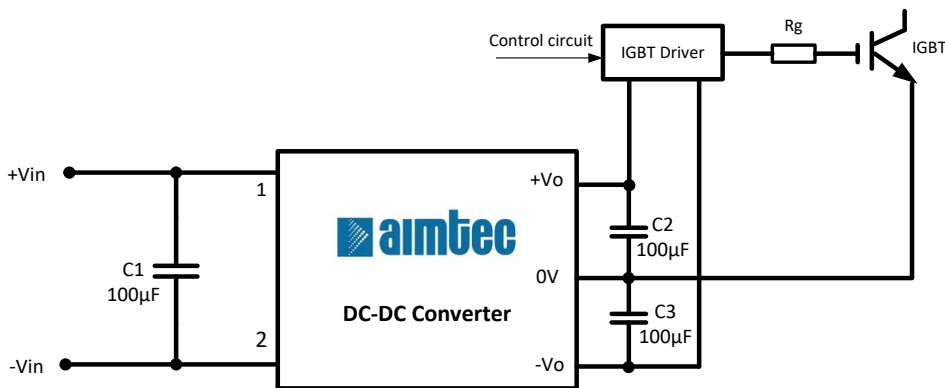


Other models

Tolerance Envelope Graph



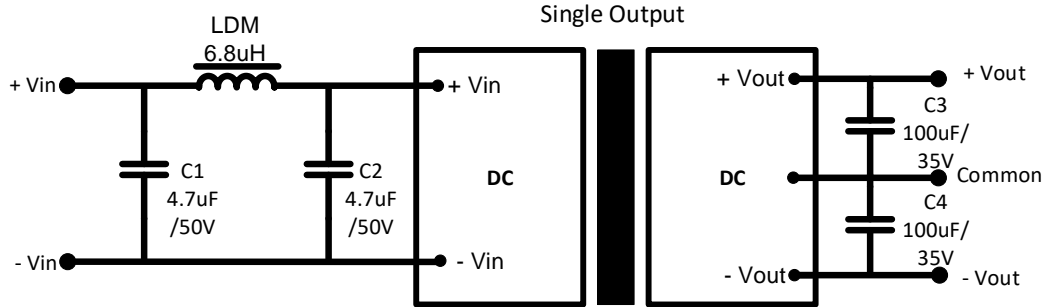
Application Circuit



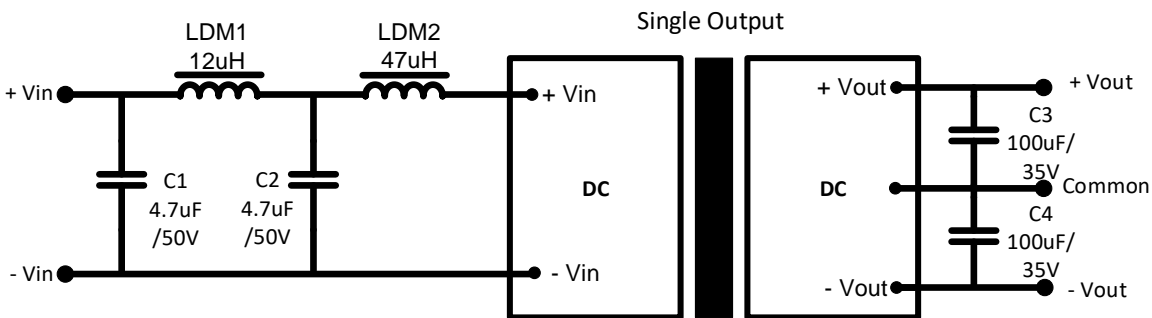
Note: Low Internal resistance capacitors suggested

EMI Recommended Circuit (Class B)

Model AM2DG-12153.5DH35-NZ



Other models



NOTE: 1. Datasheets are updated as needed and as such, specifications are subject to change without notice. Once printed or downloaded, datasheets are no longer controlled by Aimtec; refer to www.aimtec.com for the most current product specifications. 2. Product labels shown, including safety agency certifications on labels, may vary based on the date manufactured. 3. Mechanical drawings and specifications are for reference only. 4. All specifications are measured at an ambient temperature of 25°C, humidity<75%, nominal input voltage and at rated output load unless otherwise specified. 5. Aimtec may not have conducted destructive testing or chemical analysis on all internal components and chemicals at the time of publishing this document. CAS numbers and other limited information are considered proprietary and may not be available for release. 6. This product is not designed for use in critical life support systems, equipment used in hazardous environments, nuclear control systems or other such applications which necessitate specific safety and regulatory standards other than the ones listed in this datasheet. 7. Warranty is in accordance with Aimtec's standard Terms of Sale available at www.aimtec.com.