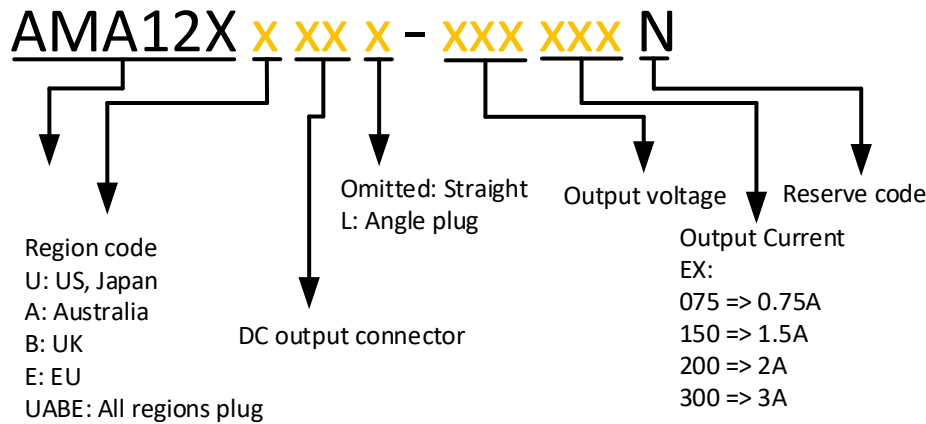


Models & Specifications

General Feature

Model	Input Voltage (VAC)	Output Voltage (VDC)	Output Current max (A)	Output Power max (W)	Efficiency Avg. (%)
AMA12XUABEU2-051200N	90 - 264	5	2	10	78.7



Input Specification

Parameters	Conditions	Minimum	Typical	Maximum	Units
Voltage range		90	100 - 240	264	VAC
Frequency		47	50 - 60	63	Hz
Input current	Vin at 100~240VAC			0.3	A
Inrush current	Vin at 264VAC			40	A
Leakage current	264VAC/50Hz			0.25	mA

Output Specification

Parameters	Conditions	Minimum	Typical	Maximum	Units
Output voltage		4.75	5	5.25	VDC
Output current		0		2	A
Output overshoot				10	%
Output undershoot				10	%
Line regulation			±1		%
Ripple and Noise	20 MHz bandwidth		200		mVp-p
Transient response overshoot	25% load step change		±5		%
Transient response time	25% load step change		200		µS
Start-up time	Full load, Vin at 100~240VAC			3	S
Rise time	Rated load			20	mS
Fall time	Full load			20	mS
Hold-up time	Full load, Vin at 115VAC/60Hz	10			mS
	Full load, Vin at 230VAC/50Hz	20			mS

Ripple and Noise are measured at 20MHz bandwidth by using a 0.1uF (M/C) and 47uF (E/C) parallel capacitor.

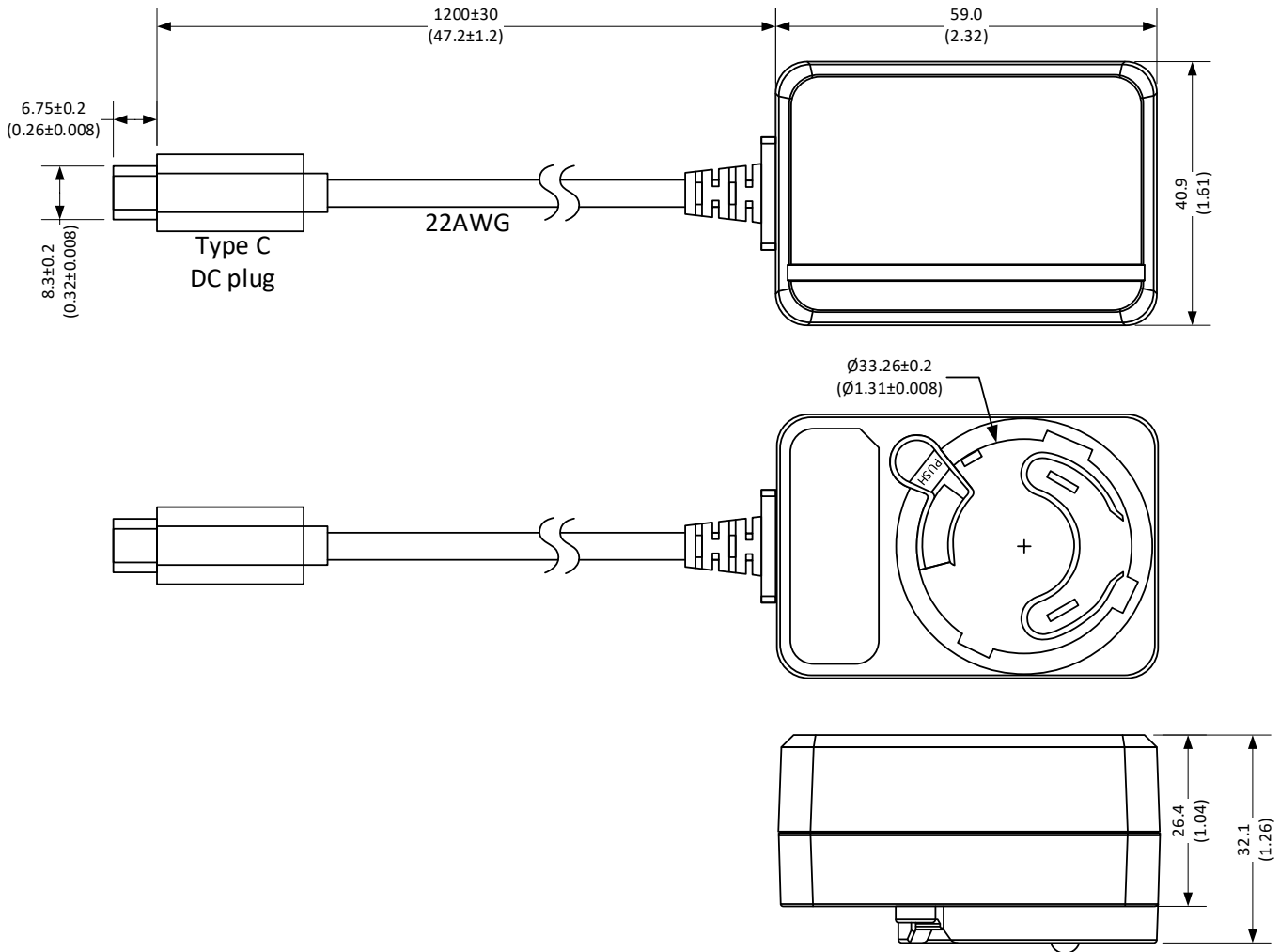
Isolation Specifications				
Parameters	Conditions	Typical	Rated	Units
Tested I/O voltage	60s, leakage current < 10mA		3000	VAC
Resistance	500Vdc		50	MΩ

General Specification					
Parameters	Conditions	Minimum	Typical	Maximum	Units
Operating temperature		0		40	°C
Storage temperature		-20		80	°C
Power consumption	Vin at 100 -240VAC, no load			100	mW
Humidity	Operation	10		90	% RH
	Non-condensing, storage	5		95	% RH
Altitude	Storage	0		2000	m
Short circuit protection	Continuous, auto recovery				
Over current protection	Hiccup, auto recovery, Vin at 100~240VAC	2.4			A
Dimensions (L x W x H)	Adaptor body US plug	2.32 x 1.61 x 1.26 inches (59.00 x 40.90 x 32.10mm) Ø1.57 x 1.03 inches (Ø39.98 x 26.20mm)			
Output cable length	47.24 inches (1200mm)				
All specifications in this datasheet are measured at an ambient temperature of 25°C, humidity<75%, nominal input voltage and at rated output load unless otherwise specified.					

Environment Approval	
Parameters	Conditions
Vibration	Frequency: 10 to 300Hz, Acceleration: 1G, 1hr/axis along X, Y, Z axis
Drop	Height: 1m, Strike surface: 20mm thick hard wood on a rigid base, all surfaces and edges tested for one time

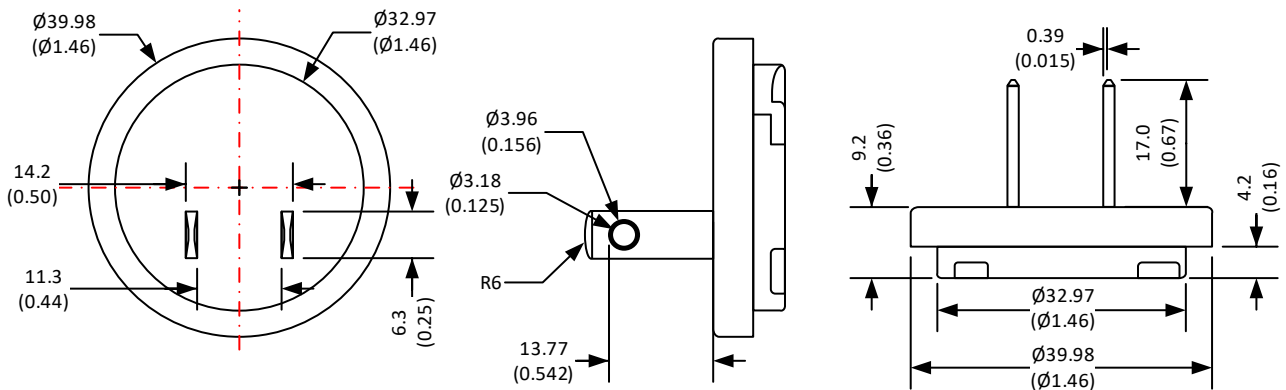
Safety Specifications		
Parameters		
Agency approvals	Design to meet EN/UL62368, AS/NZS60950.1	
Standards	EMC - Radiated & Conducted emission	EN55032 FCC, part 15 Class B SAA-140334-EA
	EMC - Harmonic current emissions	EN61000-3-2
	Electrostatic Discharge Immunity	EN61000-4-2 Contact ±4KV, Air ±8KV, Criteria B
	RF, Electromagnetic Field Immunity	EN61000-4-3 3V/m, 80-1000MHz, 80%AM(1KHz) sinewave, Criteria A
	Electrical Fast Transient/Burst Immunity	EN61000-4-4 0.5KV, Criteria A EN61000-4-4 1KV, Criteria B
	Surge Immunity	EN61000-4-5 L-G ±1KV, Criteria A
	RF, Conducted Disturbance Immunity	EN61000-4-6 3V, 0.15-80 MHz, 80%AM(1KHz), Criteria A

Dimensions

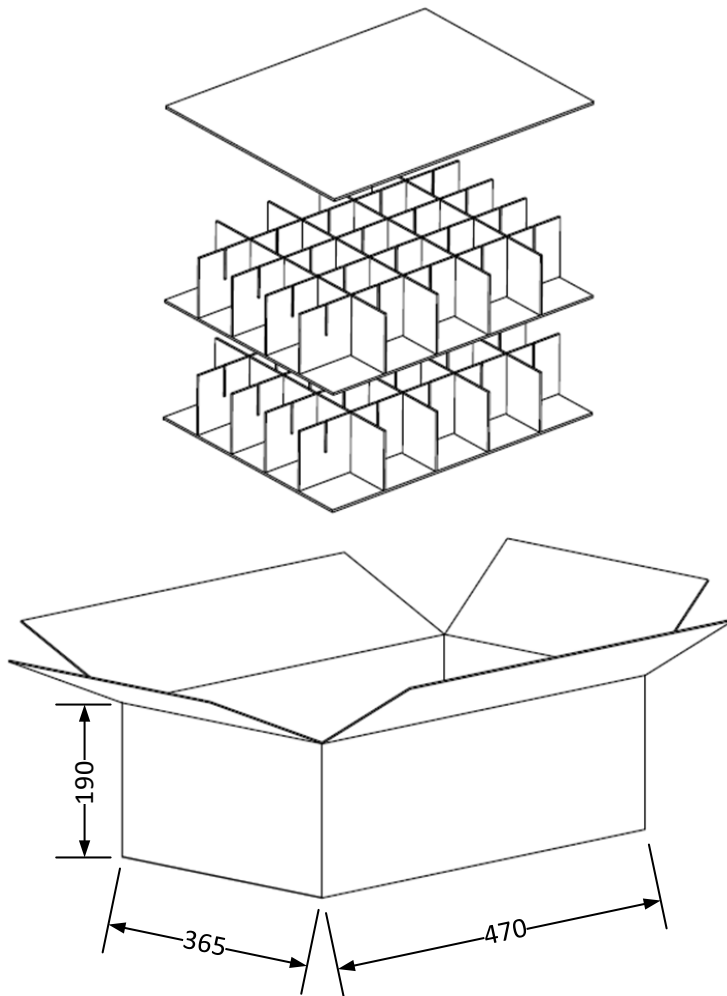


Note:
Unit: mm (Inch)
General tolerance: ± 0.3 (± 0.01)

US Plug:



Packing



Packing information:

- CARTON: L*W*H= (470*365*190) +2/-0mm
- Q'TY: 100PCS
- UNIT: mm

NOTE: **1.** Datasheets are updated as needed and as such, specifications are subject to change without notice. Once printed or downloaded, datasheets are no longer controlled by Aimtec; refer to www.aimtec.com for the most current product specifications. **2.** Product labels shown, including safety agency certifications on labels, may vary based on the date manufactured. **3.** Mechanical drawings and specifications are for reference only. **4.** All specifications are measured at an ambient temperature of 25°C, humidity<75%, nominal input voltage and at rated output load unless otherwise specified. **5.** Aimtec may not have conducted destructive testing or chemical analysis on all internal components and chemicals at the time of publishing this document. CAS numbers and other limited information are considered proprietary and may not be available for release. **6.** This product is not designed for use in critical life support systems, equipment used in hazardous environments, nuclear control systems or other such applications which necessitate specific safety and regulatory standards other the ones listed in this datasheet. **7.** Warranty is in accordance with Aimtec's standard Terms of Sale available at www.aimtec.com. **8.** Adaptors are intended for industrial use only.