



AME10-277VZ



AME10-277VZ series is an efficient 10W AC-DC power supply module. Offering a commercial input voltage range of 85-305VAC, output voltage ranges from 3.3-24V, low power consumption, high efficiency, high reliability and safer isolation.

This new series offers great operating temperatures, from -40°C to 85°C with full power up to 55°C and features an isolation of 4000VAC for improved reliability and system safety. Furthermore, a higher MTBF of 300,000h, output short circuit protection (OSCP), output over-current protection (OCP) and an output over-voltage protection (OVP) come standard with the series.

The AME10-277VZ is perfect for grid power, LED, instrumentation, industrial controls, communication and civil applications.

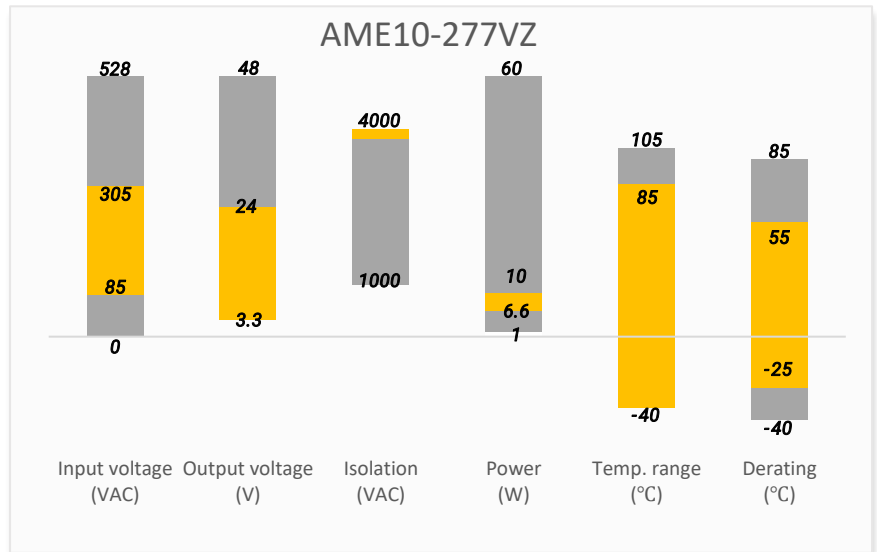
Encapsulated

Features

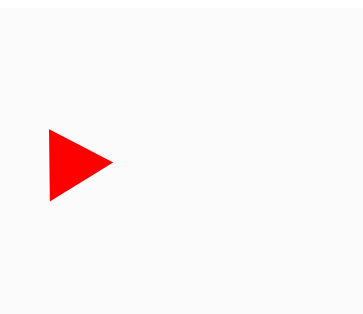


- Universal Input: 85 - 305VAC/100 - 430VDC
- Operating Temp: -40 °C to +85 °C
- High isolation voltage: 4000VAC
- Low ripple & noise, 50mV(p-p), Typ.
- Output short circuit, over-current, over-voltage protection
- Regulated Output

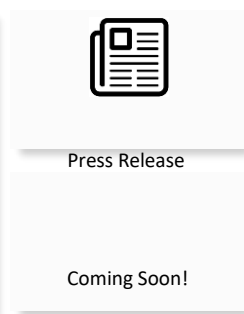
Summary



Training



Product Training Video
(click to open)



Application Notes

Applications



Power Grid



Industrial



Telecom



Instrumentation

Models & Specifications

Single Output							
Model	Input Voltage (VAC/Hz)	Input Voltage (VDC)	Max Output wattage (W)	Output Voltage (V)	Output Current max (A)	Maximum capacitive load (μ F)	Efficiency @ 230VAC (%)
AME10-3S277VZ	85-305/47-63	100-430	6.6	3.3	2	26000	70
AME10-5S277VZ	85-305/47-63	100-430	10	5	2	9400	76
AME10-9S277VZ	85-305/47-63	100-430	10	9	1.1	3600	78
AME10-12S277VZ	85-305/47-63	100-430	10	12	0.9	2400	80
AME10-15S277VZ	85-305/47-63	100-430	10	15	0.7	1200	81
AME10-24S277VZ	85-305/47-63	100-430	10	24	0.45	370	82

Note: Use suffix "ST" for chassis and suffix "STD" for DIN-Rail mounting (ex. AME10-5S277VZ-ST is chassis mounting and AME10-5S277VZ-STD is DIN-Rail mounting version).

Input Specifications					
Parameters	Conditions	Minimum	Typical	Maximum	Units
Current	115VAC			0.26	A
	230VAC			0.16	A
Inrush current	115VAC		13		A
	230VAC		23		A
Leakage current	305VAC/50Hz			0.25	mA (RMS)
External fuse	slow blow type,300V		2		A

Output Specifications				
Parameters	Conditions	Typical	Maximum	Units
Voltage accuracy	3.3V output	± 3		%
	Others	± 2		%
Line regulation	Full load	± 0.5		%
Load regulation	0-100% load	± 1		%
Ripple & Noise*	20MHz bandwidth	50	100	mV p-p
Hold up time	115VAC	8		ms
	230VAC	65		ms

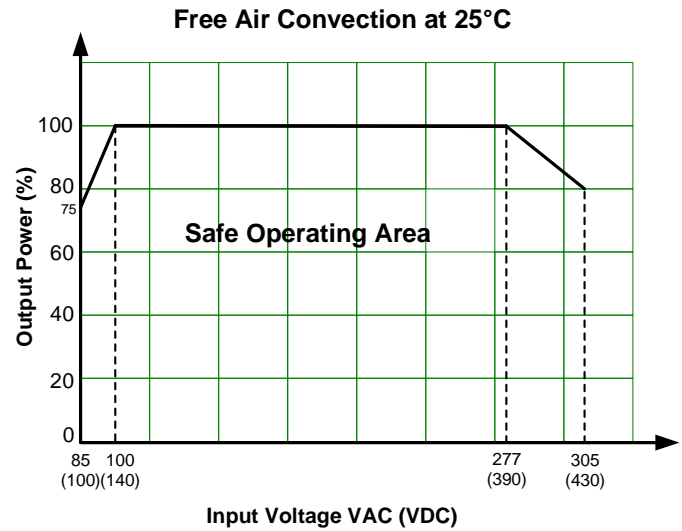
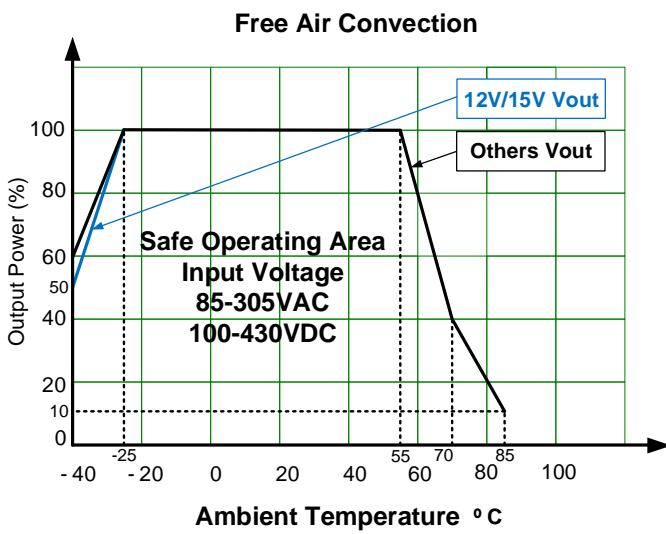
* Ripple and Noise are measured at 20MHz bandwidth by using the referenced Application circuit.

Isolation Specifications				
Parameters	Conditions	Typical	Rated	Units
Tested I/O voltage	60 sec, leakage current < 5mA		4000	VAC
Tested Input to ground voltage	60 sec, leakage current < 5mA		2500	VAC

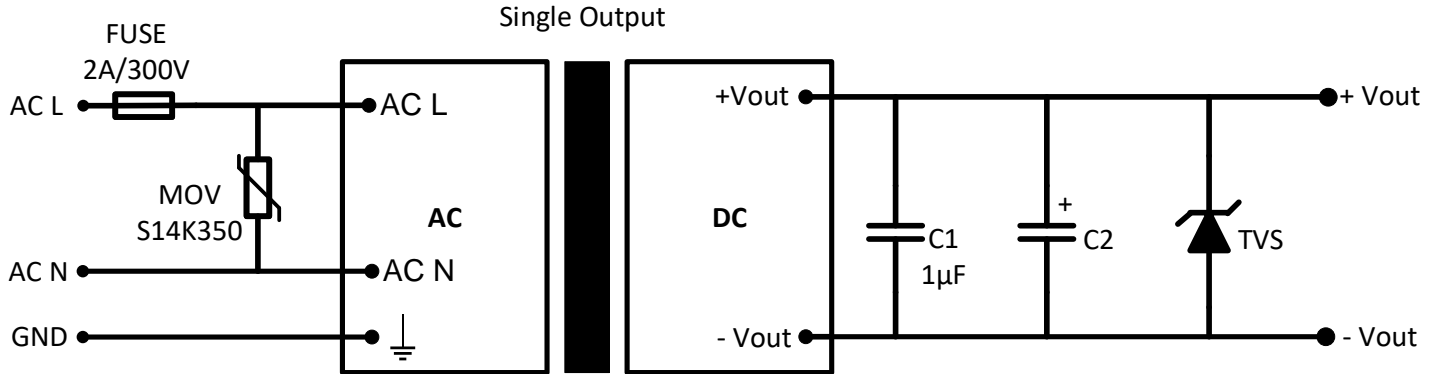
General Specifications				
Parameters	Conditions	Typical	Maximum	Units
Safety class	Class I			
Over Current protection	Auto recovery	≥ 110	300	% of Iout
Over voltage protection	3.3V/5V Vout		7.5	VDC
	9V Vout		15	VDC
	12V/15V Vout		20	VDC
	24V Vout		30	VDC
Short circuit protection	Hiccup, Continuous, Auto recovery			
Operating temperature	See derating graph	-40 to +85		°C
Storage temperature		-40 to +105		°C
Lead temperature	Wave soldering	260 ± 5 °C; time : 5 - 10s		
	Hand soldering	360 ± 10 °C; time : 3 - 5s		
Power consumption	24V Vout		0.5	W
	Others		0.45	W
Power derating	-40 °C ~ -25 °C	12V/15V Vout	3.33	% / °C
		Others	2.67	
	55 °C ~ 70 °C		4	% / °C
	70 °C ~ 85 °C		2	% / °C
	85VAC ~ 100VAC		1.67	% / VAC
	277VAC ~ 305VAC		0.71	% / VAC
Temperature coefficient		±0.02		% / °C
Cooling	Free air convection			
Humidity	Non-condensing		95	% RH
Case material	Heat resistant black Plastic (flammability to UL 94V-0)			
Weight	PCB mountable models		75	g
	With optional -ST mounting plate:		125	
	With optional -STD mounting plate:		165	
Dimensions (L x W x H)	PCB mountable models	2.17 x 1.77 x 0.83 inches (55.0 x 45.0 x 21.0mm)		
	With optional -ST mounting plate:	3.78 x 2.13 x 1.16 inches (96.1 x 54.0 x 29.5mm)		
	With optional -STD mounting plate:	3.78 x 2.13 x 1.34 inches (96.1 x 54.0 x 34.1mm)		
MTBF	> 300 000 hrs (MIL-HDBK -217F, t=+25°C)/Full Load			
NOTE: All specifications in this datasheet are measured at an ambient temperature of 25°C, humidity<75%, nominal input voltage and at rated output load unless otherwise specified.				

Safety Specifications			
Parameters			
Standards	Information technology Equipment	Design to meet IEC/EN/UL 62368	
	EMC - Conducted and radiated emission	CISPR32 / EN55032, class B	
	Electrostatic Discharge Immunity	IEC 61000-4-2 Contact ±6KV / Air ±8KV, Criteria B	
	RF, Electromagnetic Field Immunity	IEC 61000-4-3 10V/m, Criteria A	
	Electrical Fast Transient/Burst Immunity	IEC 61000-4-4 ±2KV, Criteria B	
		IEC 61000-4-4 ±4KV, with EMC recommended circuit, Criteria B	
	Surge Immunity	IEC 61000-4-5 L-L ±1KV/L-G ±2KV, Criteria B	
		IEC 61000-4-5 L-L ±2KV/L-G ±4KV, with EMC recommended circuit, Criteria B	
	RF, Conducted Disturbance Immunity	IEC 61000-4-6 10Vr.m.s, Criteria A	
	Voltage dips, Short Interruptions Immunity	IEC 61000-4-11 0%, 70%, Criteria B	

Derating



Typical Application Circuit

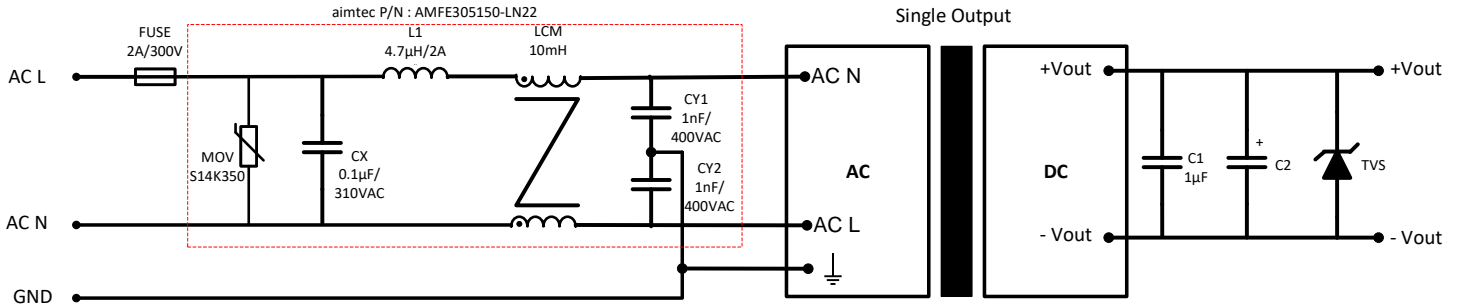


Model	C2	TVS
3.3 Vout	470 µF / 10V	SMBJ7.0A
5 Vout	330 µF / 10V	SMBJ7.0A
9 Vout	120 µF / 16V	SMBJ12A
12 / 15 Vout	120 µF / 25V	SMBJ20A
24 Vout	68 µF / 35V	SMBJ30A

Output Filter Components:

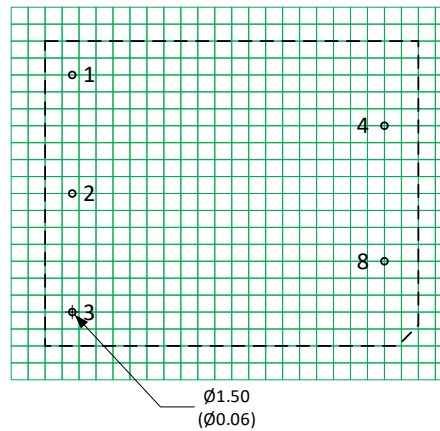
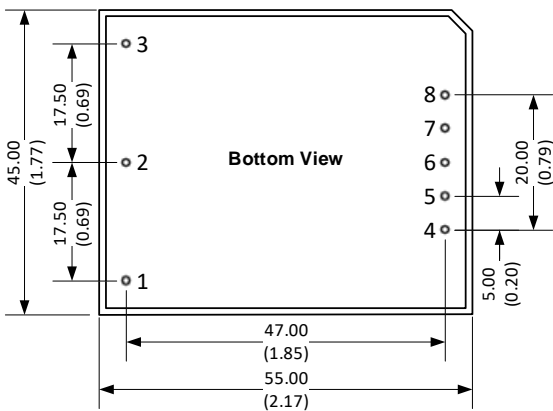
We recommend using an electrolytic capacitor with high frequency, and low ESR rating for C2. C1 is a ceramic capacitor used for filtering high-frequency noise and TVS is a recommended suppressor diode.

EMC Recommended Circuit



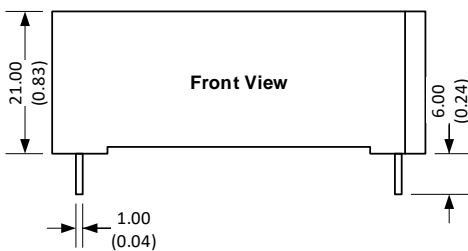
Note : AMFE305150-LN22 is aimtec 2KV/4KV EMC filter.

Dimensions



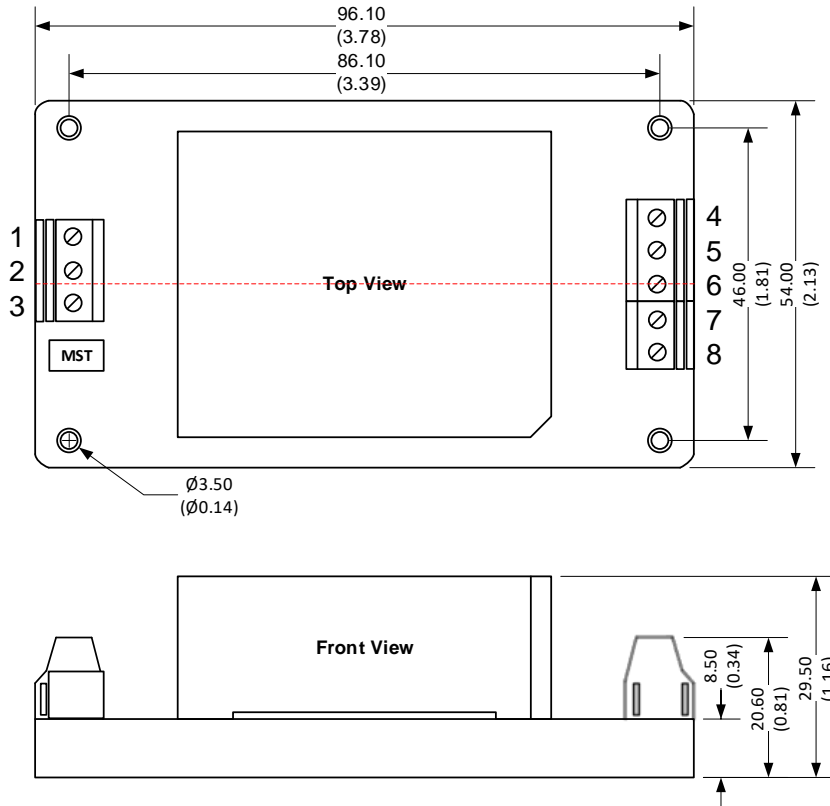
Note : Grid 2.54*2.54 mm

Pin Output Specifications	
Pin	Single
1	GND
2	AC Input (N)
3	AC Input (L)
4	-V Output
5	NC
6	NC
7	NC
8	+V Output



Notes:
All dimensions are typical in millimeters (inches).
Pin diameter tolerances : ± 0.10 (± 0.004)
General tolerance : ± 0.50 (± 0.02)

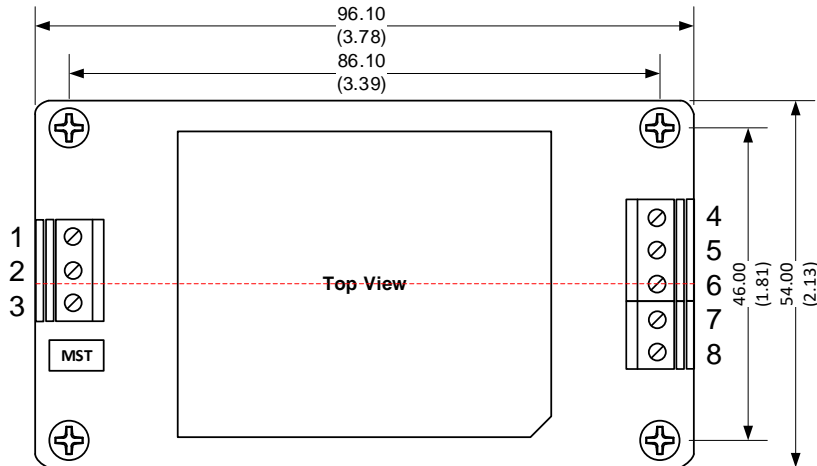
Dimensions with Optional - ST



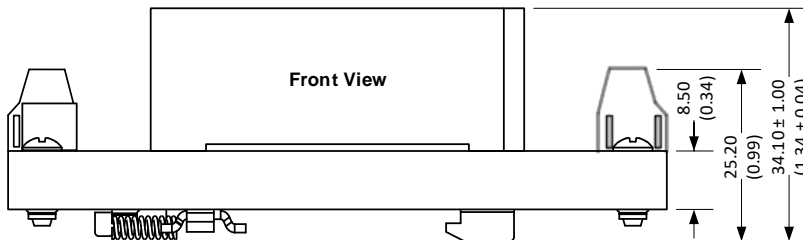
Pin Output Specifications	
Pin	Single
1	GND
2	AC Input (N)
3	AC Input (L)
4	-V Output
5	NC
6	NC
7	NC
8	+V Output

Notes:
 All dimensions are typical in millimeters (inches).
 Wire range : 24-12 AWG
 Tightening torque : Max 0.4 N.m
 General tolerance ± 1.00 : (± 0.04)

Dimensions with Optional -STD



Pin Output Specifications	
Pin	Single
1	GND
2	AC Input (N)
3	AC Input (L)
4	-V Output
5	NC
6	NC
7	NC
8	+V Output



Notes:

All dimensions are typical in millimeters (inches).
 Mounting rail : TS35, rail need to connect safety ground
 Wire range : 24-12 AWG
 Tightening torque : Max 0.4 N.m
 General tolerance ± 1.00 : (± 0.04)

NOTE: 1. Datasheets are updated as needed and as such, specifications are subject to change without notice. Once printed or downloaded, datasheets are no longer controlled by Aimtec; refer to www.aimtec.com for the most current product specifications. 2. Product labels shown, including safety agency certifications on labels, may vary based on the date manufactured. 3. Mechanical drawings and specifications are for reference only. 4. All specifications are measured at an ambient temperature of 25°C, humidity < 75%, nominal input voltage and at rated output load unless otherwise specified. 5. Aimtec may not have conducted destructive testing or chemical analysis on all internal components and chemicals at the time of publishing this document. CAS numbers and other limited information are considered proprietary and may not be available for release. 6. This product is not designed for use in critical life support systems, equipment used in hazardous environments, nuclear control systems or other such applications which necessitate specific safety and regulatory standards other than the ones listed in this datasheet. 7. Warranty is in accordance with Aimtec's standard Terms of Sale available at www.aimtec.com.