

Click to  
**ORDER**  
samples

## AME10-VZ



The new AME10-VZ is a brand-new AC/DC converter that offers much greater cost effectiveness due to material normalization and production automation also leading to improved reliability and performance. Offering a commercial input voltage range of 85-264VAC and an output voltage range from 3.3-24V, this series will offer many benefits to your new system design.

This new series offers great operating temperatures, from -40°C to 85°C with full power up to 55°C. It also features an isolation of 4000VAC for improved reliability and system safety. Furthermore, a higher MTBF of 300,000h, output short circuit protection (OSCP), output over-current protection (OCP) and an output over-voltage protection (OVP) come standard with the series.

The AME10-VZ is perfect for street lighting controls, grid power, LED, instrumentation, industrial controls, communication and civil applications.

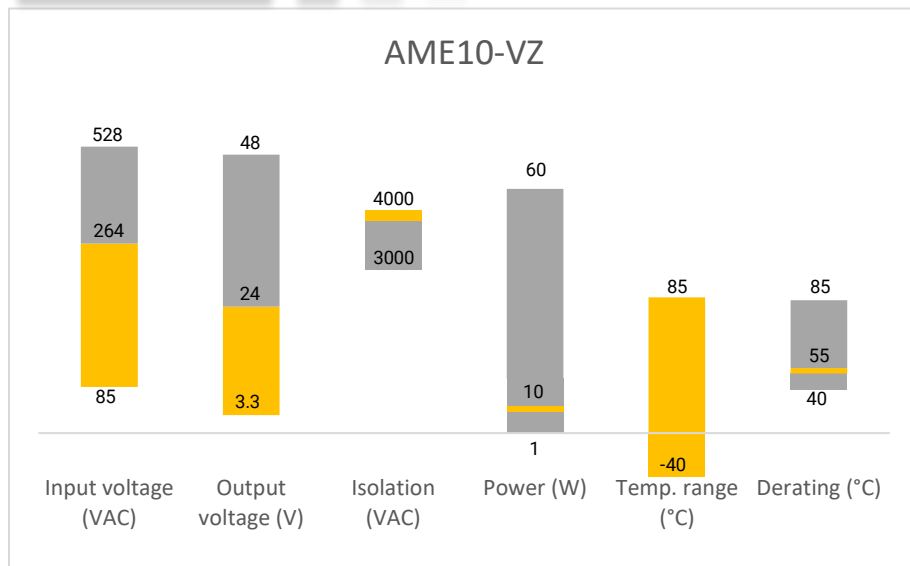
## Features



- Universal Input: 85 - 264VAC/100 - 370VDC
- Operating Temp: -40 °C to +85 °C
- High isolation voltage: 4000VAC
- Low ripple & noise, 50mV(p-p), typ.
- Output short circuit, over-current, over-voltage protection
- EMI performance meets CISPR32/EN55032 CLASS B Meets IEC62368, UL62368, EN62368 standards



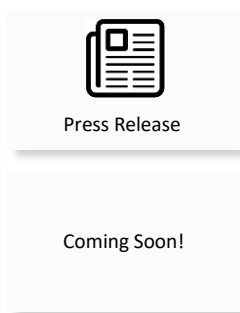
## Summary



## Training



Product Training Video  
(click to open)



Application Notes

## Applications



Power Grid



Industrial



Telecom



Instrumentation

## Models & Specifications

Single Output						
Model	Input Voltage (VAC/Hz)	Input Voltage (VDC)	Output Voltage (V)	Output Current max (A)	Maximum capacitive Load (μF)	Efficiency (%)
						230 VAC
AME10-3.3SVZ	85-264/47-63	100-370	3.3	2	27000	70
AME10-5SVZ	85-264/47-63	100-370	5	2	9500	76
AME10-9SVZ	85-264/47-63	100-370	9	1.1	3600	78
AME10-12SVZ	85-264/47-63	100-370	12	0.9	2400	80
AME10-15SVZ	85-264/47-63	100-370	15	0.7	1200	81
AME10-24SVZ	85-264/47-63	100-370	24	0.45	470	82

Note: Add suffix “-ST” for optional screw terminal bottom plate or “-STD” for optional DIN Rail screw terminal bottom plate.

Input Specifications					
Parameters	Conditions	Minimum	Typical	Maximum	Units
Current (full load)	115 VAC			260	mA
	230 VAC			160	mA
Inrush current <2ms (cold start)	115 VAC		13		A
	230 VAC		23		A
External fuse	230VAC/50Hz Recommended slow blow type	2			A

Output Specifications				
Parameters	Conditions	Typical	Maximum	Units
Voltage accuracy	3.3VDC output	±3		%
	Other output	±2		
Line regulation	Full load, main output	±0.5		%
Load regulation (single output)	0-100% load	±1		%
Minimum load		0		%
Ripple & Noise *		50	100	mV p-p
Hold-up time	115VAC, 20MHz bandwidth	15		ms
	230VAC, 20MHz bandwidth	80		ms

\*Ripple and Noise are measured at 20MHz bandwidth & 230VAC with the recommended Application Circuit.

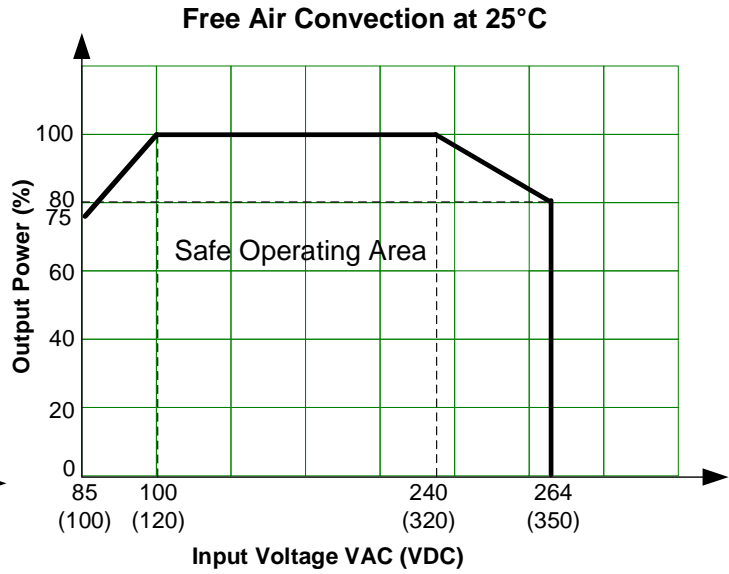
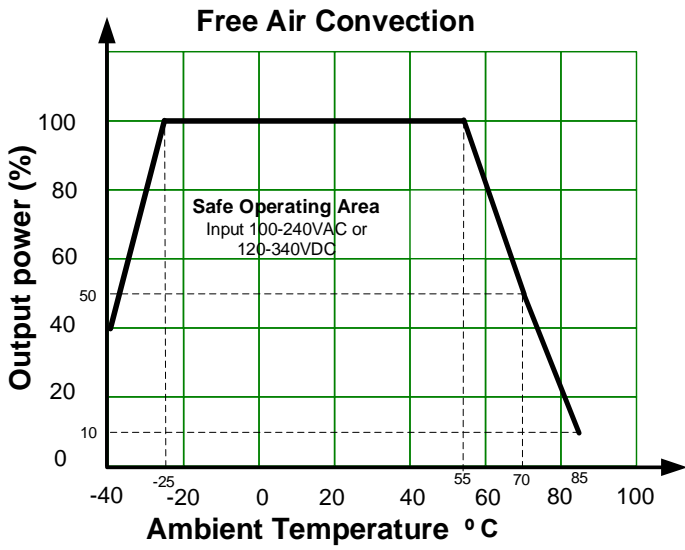
Isolation Specifications				
Parameters	Conditions	Typical	Rated	Units
Tested I/O voltage	60 sec		4000	VAC

General Specifications				
Parameters	Conditions	Typical	Maximum	Units
Switching frequency	100% load	100		KHz
Protection class	Class I			
Over current protection		≥110		% of I <sub>out</sub>
Over voltage protection	Zener diode clamp			
Short circuit protection	Continuous, Auto recovery			
Operating temperature	See derating curve	-40 to +85		°C
Storage temperature		-40 to +105		°C
Maximum Case temperature			100	°C
Temperature coefficient		±0.02		% / °C
Cooling	Free air convection			
Humidity	Non condensing		95	% RH
Case material	Plastic (flammability to UL 94V-0)			
Weight	PCB mountable model:	75		
	With optional -ST mounting plate:	125		
	With optional -STD mounting plate:	165		
Dimensions (L x W x H)	PCB mountable model:	2.165 x 1.772 x 0.827 inches (55 x 45 x 21mm)		
	With optional -ST mounting plate:	3.783 x 2.126 x 1.161 inches (96.1 x 54 x 29.5 mm)		
	With optional -STD mounting plate:	3.783 x 2.126 x 1.343 inches (96.1 x 54 x 34.1 mm)		
MTBF	> 300,000 hrs (MIL-HDBK -217F, t <sub>a</sub> =+25°C)/Full Load			

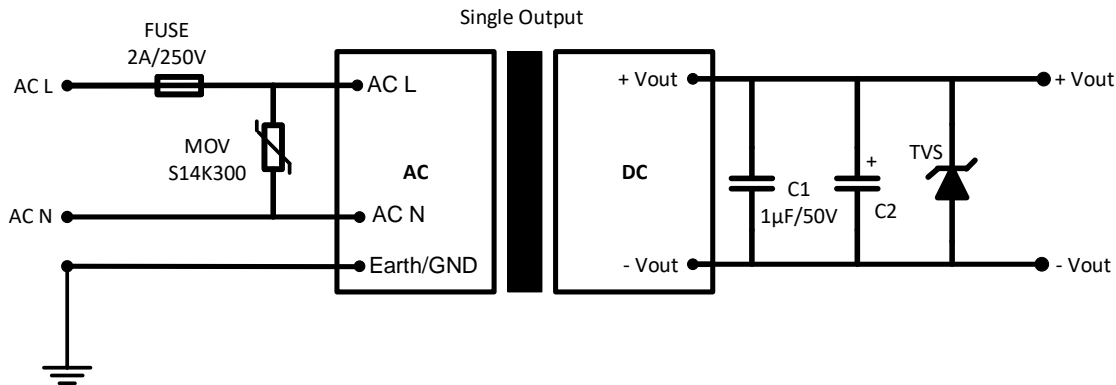
NOTE: All specifications in this datasheet are measured at an ambient temperature of 25°C, humidity<75%, nominal input voltage and at rated output load unless otherwise specified.

Safety Specifications		
Parameters		
Agency approvals	cULus	
Standards	Information technology Equipment	UL 62368
	EMI - Conducted and radiated emission	CISPR32/EN55032, class B
	Electrostatic Discharge Immunity	IEC 61000-4-2, Contact ±6kV/Air ±8kV, Criteria B
	RF, Electromagnetic Field Immunity	IEC 61000-4-3, 10V/m, Criteria A
	Electrical Fast Transient/Burst Immunity	IEC 61000-4-4, ±2kV, ±4kV with external circuit, Criteria B
	Surge Immunity	IEC 61000-4-5 L to L ±1kV, L to G ±2kV L to L ±2kV, L to G ±4kV with external circuit, Criteria B
	RF, Conducted Disturbance Immunity	IEC 61000-4-6 10Vr.m.s, Criteria A
	Voltage dips, Short Interruptions Immunity	IEC 61000-4-11 0%, 70%, Criteria B

Derating

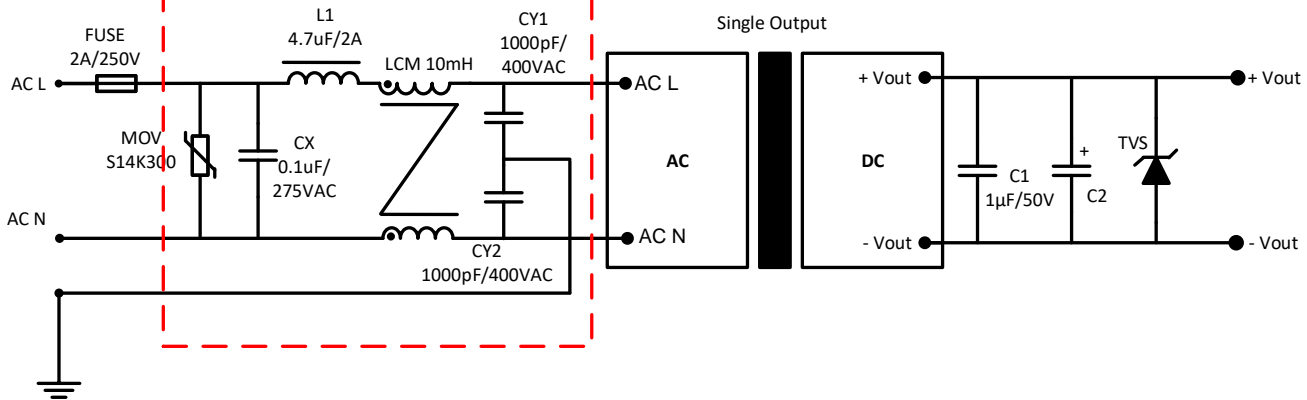


Typical Application Circuit



## EMC Recommended Circuit

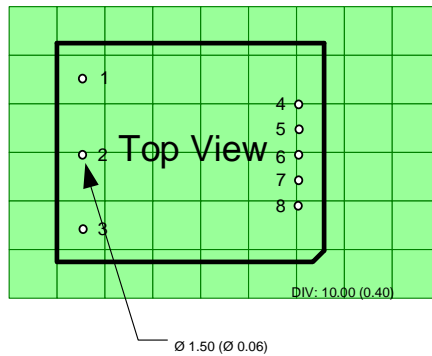
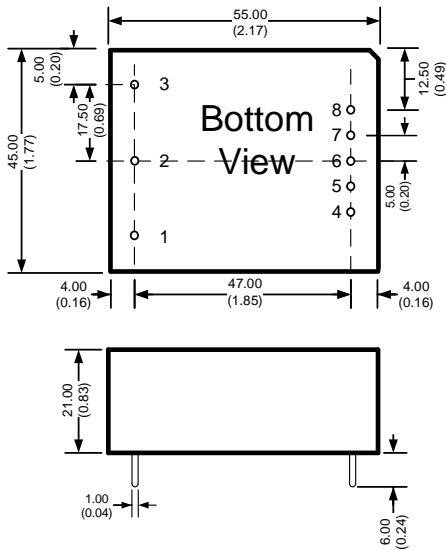
Recommended use AMFE305150-LN22



Model	C2	TVS
3.3 Vout	470 $\mu$ F	7V
5 Vout	330 $\mu$ F	7V
9 Vout	120 $\mu$ F	12V
12 Vout	120 $\mu$ F	20V

## Dimensions

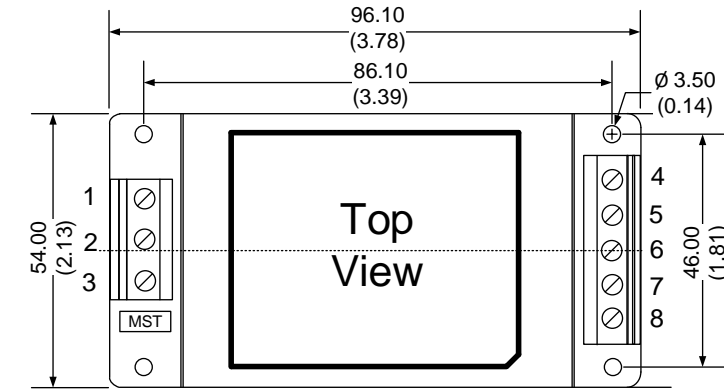
Vout	$\mu$ F	20V
24 Vout	68 $\mu$ F	30V



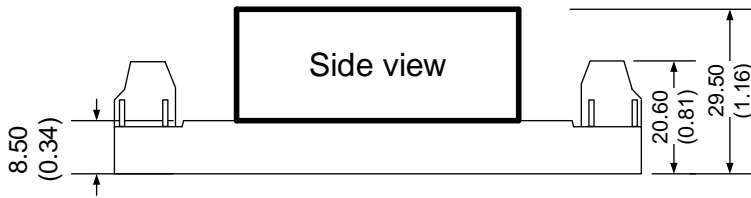
Dimensions mm (inch)  
Case Tolerance  $\pm 0.50$  ( $\pm 0.02$ )  
Pin Diameter  $1.0 \pm 0.10$  ( $0.04 \pm 0.004$ )

Pin Out Specifications	
Pin	Single
1	Ground
2	AC Input (N)
3	AC Input (L)
4	-V Output
5	No pin
6	No pin
7	No pin
8	+V Output

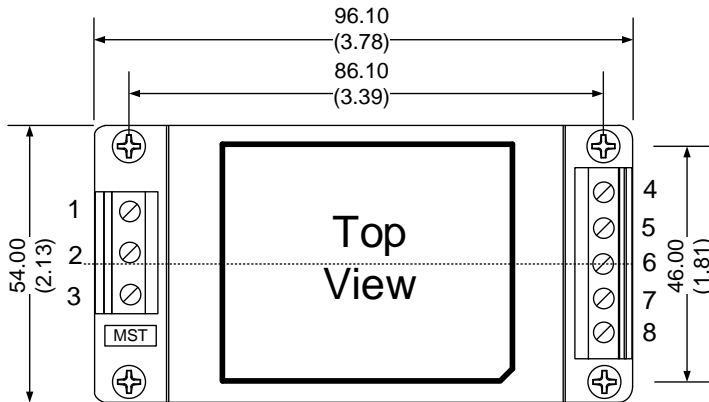
With optional -ST bottom plate



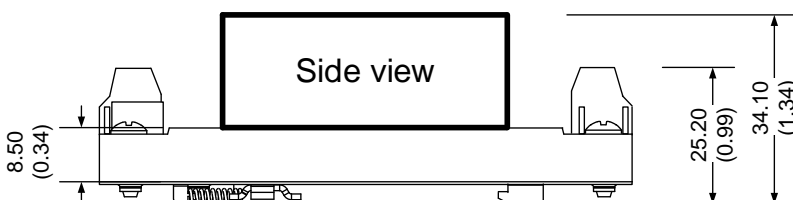
Dimensions: mm (inch)  
Case Tolerance:  $\pm 1.00$  (0.04)  
Holding holes tolerance:  $\pm 0.20$  (0.01)  
Wire gauge: 24-12AWG



With optional -STD bottom plate



Dimensions: mm (inch)  
General Tolerance:  $\pm 1.00$  (0.04)  
Holding holes tolerance:  $\pm 0.20$  (0.01)  
Wire gauge: 24-12AWG  
DIN rail type: TS35



**NOTE:** **1.** Datasheets are updated as needed and as such, specifications are subject to change without notice. Once printed or downloaded, datasheets are no longer controlled by Aimtec; refer to [www.aimtec.com](http://www.aimtec.com) for the most current product specifications. **2.** Product labels shown, including safety agency certifications on labels, may vary based on the date manufactured. **3.** Mechanical drawings and specifications are for reference only. **4.** All specifications are measured at an ambient temperature of 25°C, humidity<75%, nominal input voltage and at rated output load unless otherwise specified. **5.** Aimtec may not have conducted destructive testing or chemical analysis on all internal components and chemicals at the time of publishing this document. CAS numbers and other limited information are considered proprietary and may not be available for release. **6.** This product is not designed for use in critical life support systems, equipment used in hazardous environments, nuclear control systems or other such applications which necessitate specific safety and regulatory standards other the ones listed in this datasheet. **7.** Warranty is in accordance with Aimtec's standard Terms of Sale available at [www.aimtec.com](http://www.aimtec.com).