

Picture Coming Soon

FEATURES:

- Input: 85-264VAC, 47-63Hz or 100-400VDC
- Operating temperature -25°C to +85°C
- Low power consumption ≤ 0.5W
- Continuous short circuit protection
- Class II power supply
- I/O Isolation 3000VAC
- Ultra slim open frame SIP
- Over current protection
- Over voltage protection

Models
Single output



Model	Input Voltage (VAC/Hz)	Input Voltage (VDC)	Full power temperature range (°C)	Output Voltage (V)	Output Current max (mA)	Maximum capacitive load (µF)	Efficiency (%)
AMEOF5-3.3SJZ	85-264/47-63	100-400	0 to +55	3.3	1000	2200	67
AMEOF5-5SJZ	85-264/47-63	100-400	0 to +55	5	1000	1500	74
AMEOF5-9SJZ	85-264/47-63	100-400	0 to +55	9	560	680	75
AMEOF5-12SJZ	85-264/47-63	100-400	0 to +55	12	420	470	76
AMEOF5-15SJZ	85-264/47-63	100-400	0 to +55	15	340	330	77
AMEOF5-24SJZ	85-264/47-63	100-400	0 to +55	24	210	100	79
AMEOF5-5SLJZ	85-264/47-63	100-400	0 to +55	5	1000	1500	74
AMEOF5-12SLJZ	85-264/47-63	100-400	0 to +55	12	420	470	76
AMEOF5-15SLJZ	85-264/47-63	100-400	0 to +55	15	340	330	77
AMEOF5-24SLJZ	85-264/47-63	100-400	0 to +55	24	210	100	79

NOTE: All specifications in this datasheet are measured at an ambient temperature of 25°C, humidity<75%, nominal input voltage and at rated output load unless otherwise specified.

Input Specifications

Parameters	Conditions	Typical	Maximum	Units
Current	115VAC		200	mA
	230VAC		100	mA
Inrush current <2ms	115VAC	5		A
	230VAC	10		A
External fuse	Recommended slow blow type	1		A
Input dissipation	No Load		0.5	W
Leakage current	CY(Input to Output) 1nF/400VAC		250	µA

Output Specifications

Parameters	Conditions	Typical	Maximum	Units
Voltage accuracy	Full load, 3.3V output		±3	%
	Full load, others		±2	%
Line regulation	Full load		±0.5	%
Load regulation	10% - 100% load		±1.5	%
Ripple & Noise	20MHz Bandwidth		150	mV p-p
Over current protection	Auto-recovery	≥110		% of I out
Short circuit protection		Continuous		
Short circuit restart		Auto-recovery		
Over Voltage protection		Zener diode clamp		
Hold up time	115VAC	20		ms
	230VAC	80		ms

Isolation Specifications

Parameters	Conditions	Typical	Rated	Units
Tested I/O voltage	60 sec, 5mA leakage current		3000	VAC
Isolation Resistance		>1000		MΩ

General Specifications

Parameters	Conditions	Typical	Maximum	Units
Switching frequency		100		KHz
Operating temperature	See derating curve	-25 to +85		°C
Storage temperature		-40 to +105		°C
Temperature coefficient		±0.02		% / °C
Cooling	Free air convection			
Humidity			85	% RH
Weight		7		g
Dimensions (L x W x H)	1.65 x 0.54 x 0.79 inches		42.00 x 13.65 x 20.00 mm	
MTBF	>300,000 hours (MIL-HDBK -217F, Ground Benign, t=+25°C)			

Safety Specifications

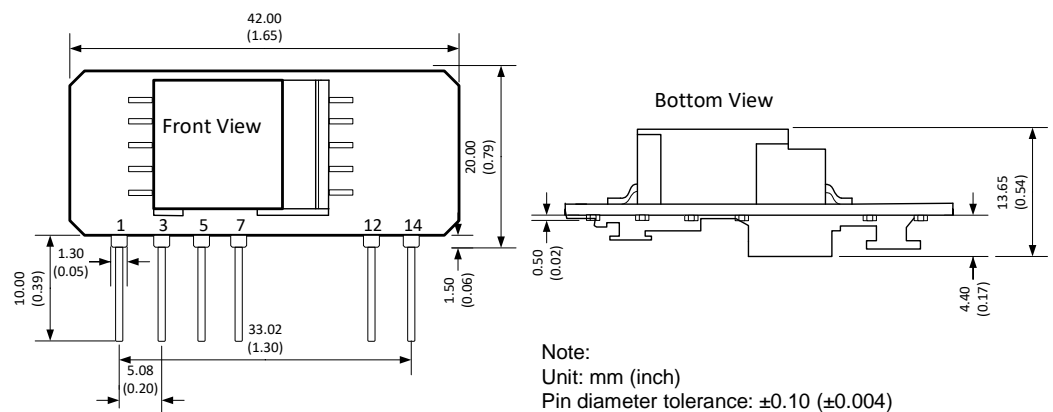
Parameters		
Agency approvals	cULus	
Standards	IEC/EN/UL60950-1, IEC/EN/UL62368	
	EMI – Conducted and Radiated Emission	EN 55022, Class A & B, with external filter circuits, as referenced
	Electrostatic Discharge Immunity	IEC 61000-4-2, Contact ±4KV, Criteria B
	RF, Electromagnetic Field Immunity	IEC 61000-4-3, 10V/m, Criteria A, with Class A external filter, as referenced
	Electrical Fast Transient / Burst Immunity	IEC 61000-4-4, ±2KV/±4KV, Criteria B, with Class A/B external filter referenced
	Surge Immunity	IEC 61000-4-5, ±1KV/±2KV, Criteria B, with Class A/B external filter referenced
	RF, Conducted Disturbance Immunity	IEC 61000-4-6, 3Vrms, Criteria A, with Class B external filter, as referenced
	Power frequency Magnetic Field Immunity	IEC 61000-4-8, 10A/m, Criteria A
	Voltage dips, Short Interruptions Immunity	IEC 61000-4-11, 0-70%, Criteria B

Pin Out Specifications*

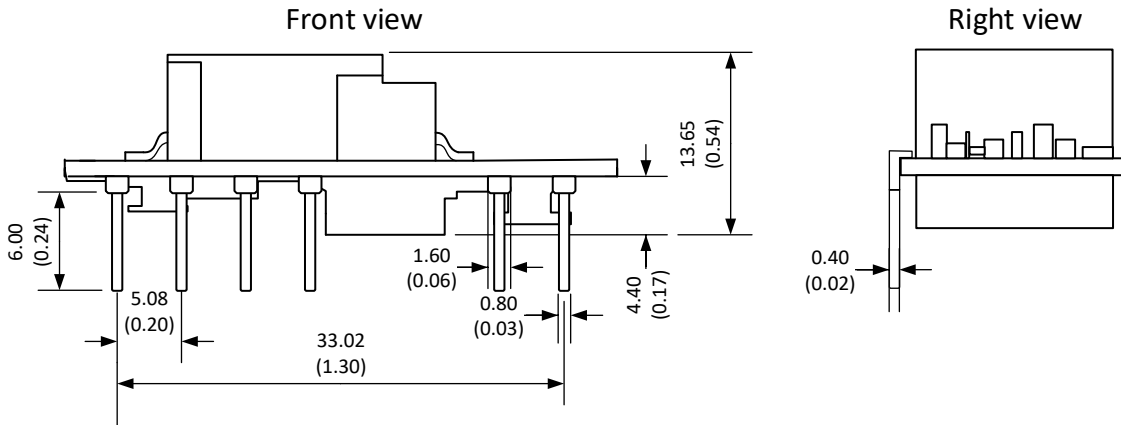
Pin	Single
1	AC N
3	AC L
5	+V sc
7	-V sc
12	-V Output
14	+V Output

* Add capacitor between pin 5 & 7.
Application circuit below.

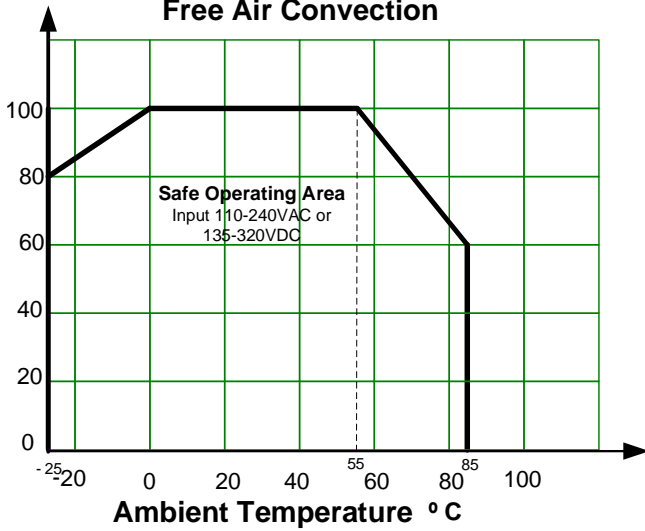
Dimensions



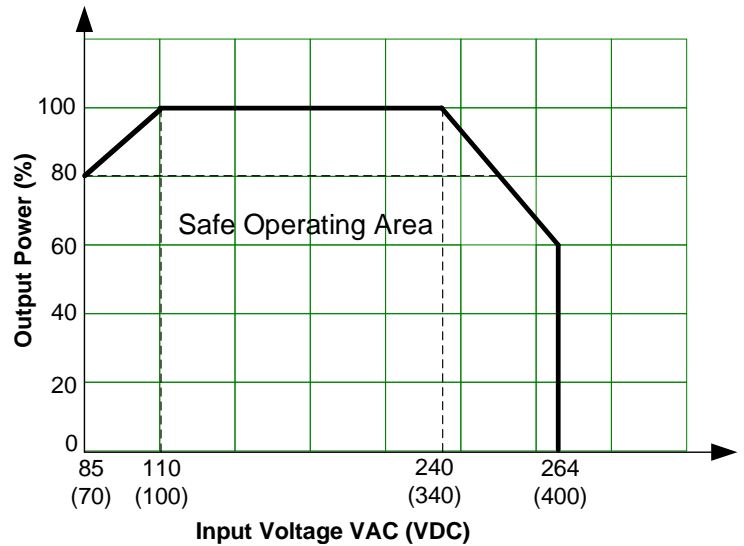
L models



**Derating*
Free Air Convection**

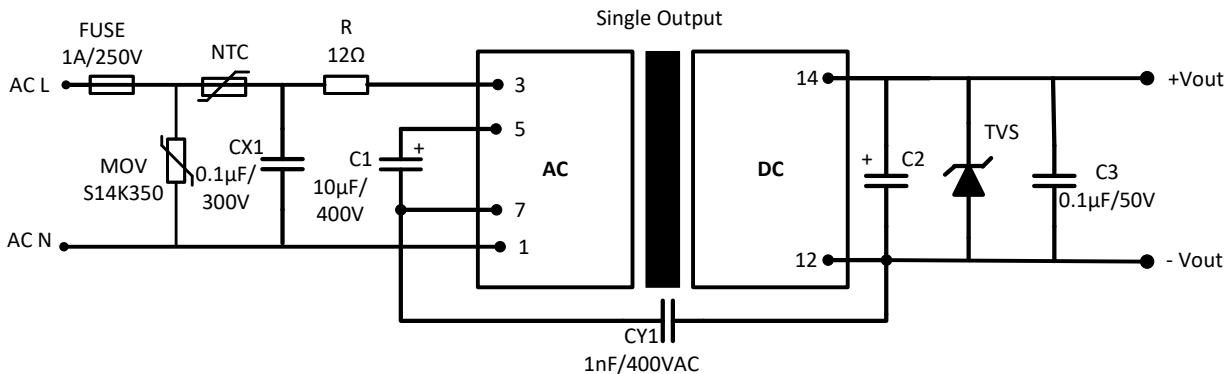


Free Air Convection at 25°C

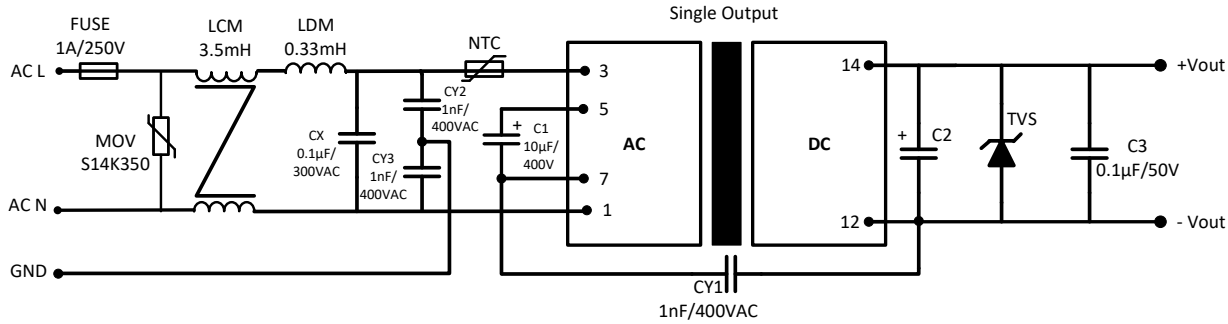


*Power derating: for 85-110VAC and 240-264VAC input supply

Recommended EMC class A external circuit:



Recommended EMC class B external circuit:



Model	C2	TVS
3.3 & 5 Vout	220 µF / 35V	7V
9 Vout		12V
12 & 15 Vout	150 µF / 35V	20V
24 Vout		30V

Note: For Safety compliance we recommend minimum PCB trace distance of 3mm, primary to secondary circuit minimum distance between PCB traces of 6.4mm.

NOTE: 1. Datasheets are updated as needed and as such, specifications are subject to change without notice. Once printed or downloaded, datasheets are no longer controlled by Aimtec; refer to www.aimtec.com for the most current product specifications. 2. Product labels shown, including safety agency certifications on labels, may vary based on the date manufactured. 3. Mechanical drawings and specifications are for reference only. 4. All specifications are measured at an ambient temperature of 25°C, humidity<75%, nominal input voltage and at rated output load unless otherwise specified. 5. Aimtec may not have conducted destructive testing or chemical analysis on all internal components and chemicals at the time of publishing this document. CAS numbers and other limited information are considered proprietary and may not be available for release. 6. This product is not designed for use in critical life support systems, equipment used in hazardous environments, nuclear control systems or other such applications which necessitate specific safety and regulatory standards other the ones listed in this datasheet. 7. Warranty is in accordance with Aimtec's standard Terms of Sale available at www.aimtec.com.