

Picture coming soon

FEATURES:

- Input: 90-305VAC, 47-63Hz
- Operating temperature: -40°C to +85°C
- Meets CISPR22/EN55022 class B
- Mounting: PCB Mounting, Chassis Mounting with screw terminal, DIN-RAIL mounting



Models

Model	Input Voltage (VAC)/(Hz)	Max. Current (A)	Surge Level (IEC6100-4-5)
AMFE305150-LN22	85-305/47-63	1.5	L-N: ±2KV (2Ω internal); L-GND: ±4KV (12Ω internal)
AMFE305150-LN42	85-305/47-63	1.5	L-N: ±4KV (2Ω internal); L-GND: ±6KV (12Ω internal)

* Add suffix “-ST” for optional screw terminal bottom plate or “-STD” for optional DIN Rail screw terminal bottom plate.

NOTE: All specifications in this datasheet are measured at an ambient temperature of 25°C, humidity<75% unless otherwise specified.

Output Specifications

Parameters	Tested Conditions	Typical	Maximum	Units
Suppressed Output Peak Voltage	AMFE305150-LN22, Input surge voltage L-N: 2KV		1	KV
	AMFE305150-LN22, Input surge voltage L-N: 4KV			
	AMFE305150-LN42, Input surge voltage L-N: 4KV			
	AMFE305150-LN42, Input surge voltage L-N: 6KV			

General Specifications

Parameters	Conditions	Typical	Maximum	Units
Frequency attenuation	150KHz – 1GHz, AMFE305150-LN22	20		dB
	150KHz – 1GHz, AMFE305150-LN42	30		
Operating temperature		-40 to +85		°C
Storage temperature		-55 to +125		°C
Case temperature rise	220VAC / 0.5A		5	°C
	220VAC / 1A		20	
	220VAC / 1.5A		30	
Isolation Voltage (L/PE; N/PE)	1 min, 5mA leakage current	2000		VAC
Humidity			95	% RH
Case material	Non-conductive Black Plastic (UL94V-0 rated)			
Weight	AMFE305150-LN22	20		g
	AMFE305150-LN22-ST	40		
	AMFE305150-LN22-STD	60		
	AMFE305150-LN42	50		
	AMFE305150-LN42-ST	70		
	AMFE305150-LN42-STD	90		
Dimensions (L x W x H)	AMFE305150-LN22	1.33 x 0.87 x 0.71 inches	33.70 x 22.20 x 18.00 mm	
	AMFE305150-LN22-ST	2.99 x 1.24 x 1.06 inches	76.00 x 31.50 x 26.80 mm	
	AMFE305150-LN22-STD	2.99 x 1.24 x 1.24 inches	76.00 x 31.50 x 31.40 mm	
	AMFE305150-LN42	2.12 x 1.13 x 0.75 inches	53.80 x 28.80 x 19.00 mm	
	AMFE305150-LN42-ST	2.99 x 1.24 x 1.06 inches	76.00 x 31.50 x 27.80 mm	
	AMFE305150-LN42-STD	2.99 x 1.24 x 1.24 inches	76.00 x 31.50 x 32.40 mm	

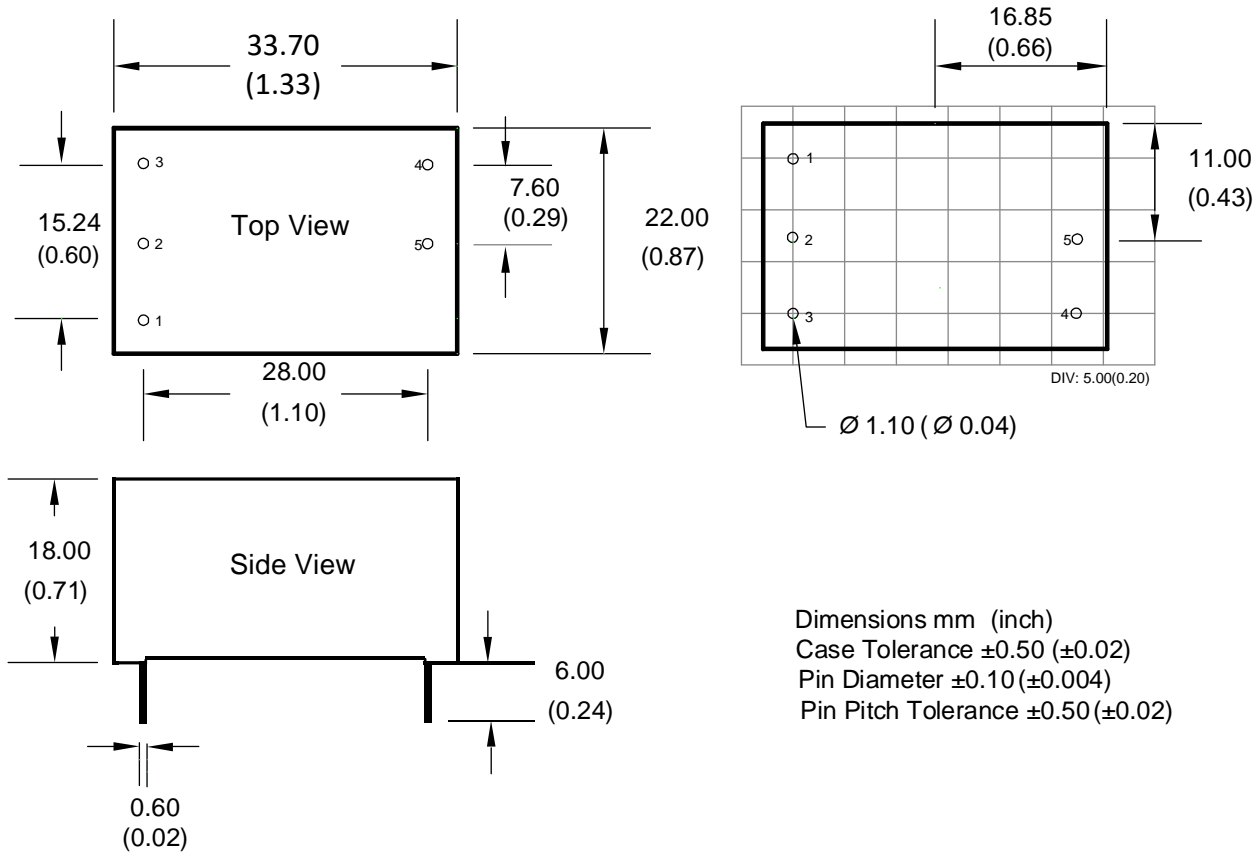
Safety Specifications

Parameters		
Standards	EMI - Conducted and radiated emission	EN55022, class B - AMFE305150-LN42
	Surge Immunity IEC 61000-4-5	L-N: ±2KV (2Ω internal); L-GND: ±4KV (12Ω internal) - AMFE305150-LN22
		L-N: ±4KV (2Ω internal); L-GND: ±6KV (12Ω internal) - AMFE305150-LN42

Pin Out Specifications

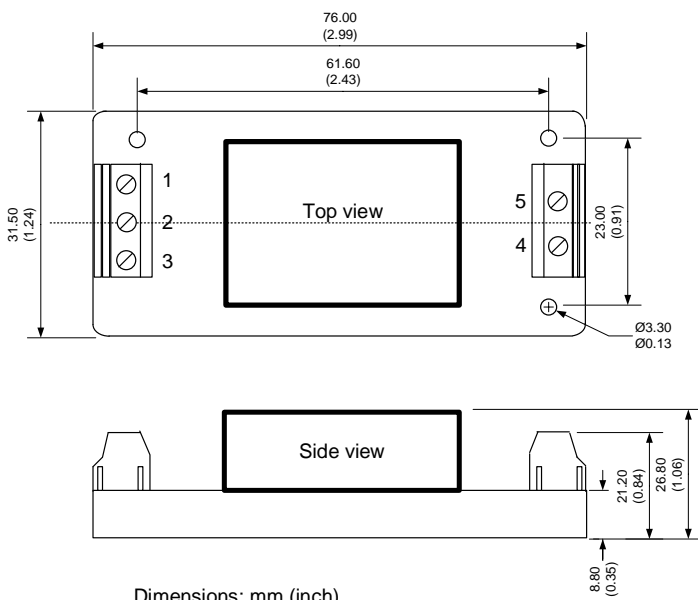
Pin	Single
1	GND
2	IN AC N
3	IN AC L
4	OUT AC L
5	OUT AC N

Dimensions: AMFE305150-LN22



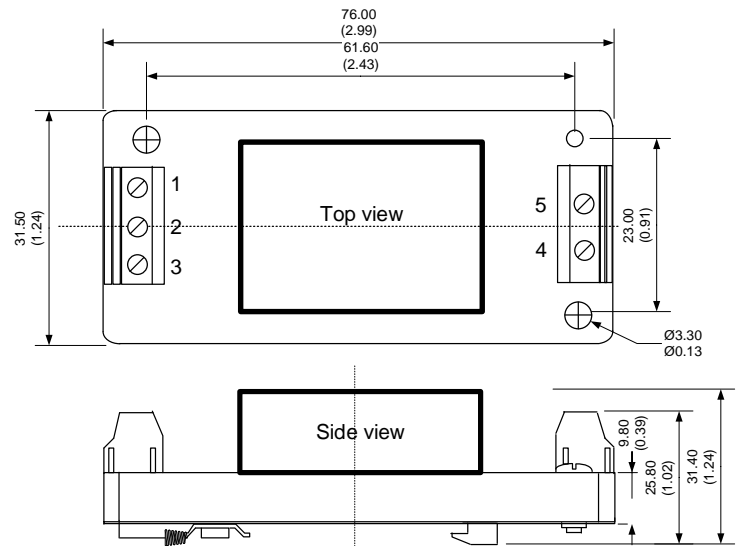
Dimensions mm (inch)
Case Tolerance ± 0.50 (± 0.02)
Pin Diameter ± 0.10 (± 0.004)
Pin Pitch Tolerance ± 0.50 (± 0.02)

Dimensions: AMFE305150-LN22-ST



Dimensions: mm (inch)
Case Tolerance: ± 0.50 (0.02)
Wire gauge: 24-12AWG

Dimensions: AMFE305150-LN22-STD

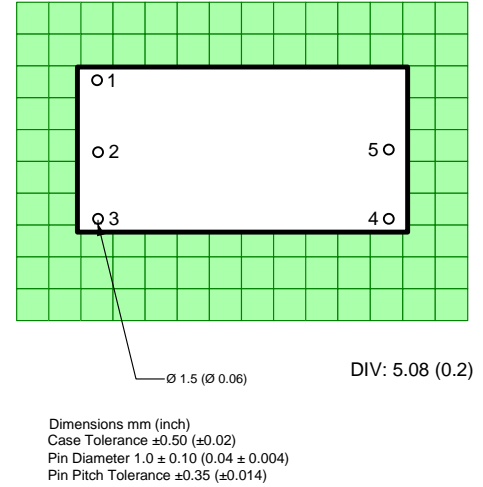
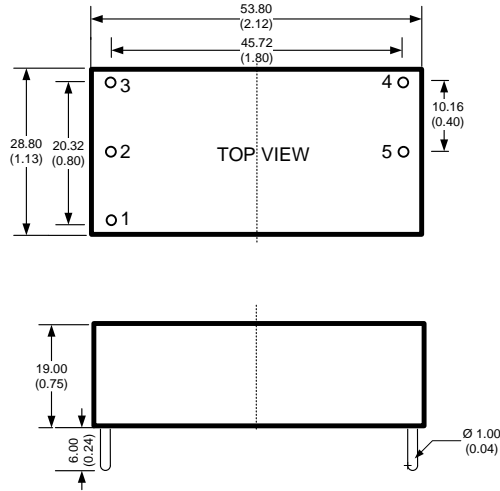


Dimensions: mm (inch)
Case Tolerance: ± 0.50 (0.02)
Wire gauge: 24-12AWG

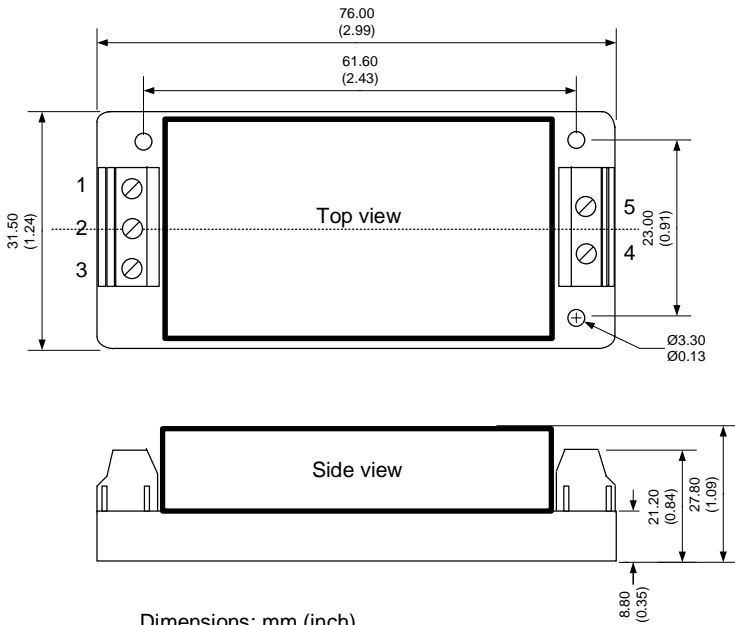
Pin Out Specifications

Pin	Single
1	GND
2	IN AC N
3	IN AC L
4	OUT AC L
5	OUT AC N

Dimensions: AMFE305150-LN42

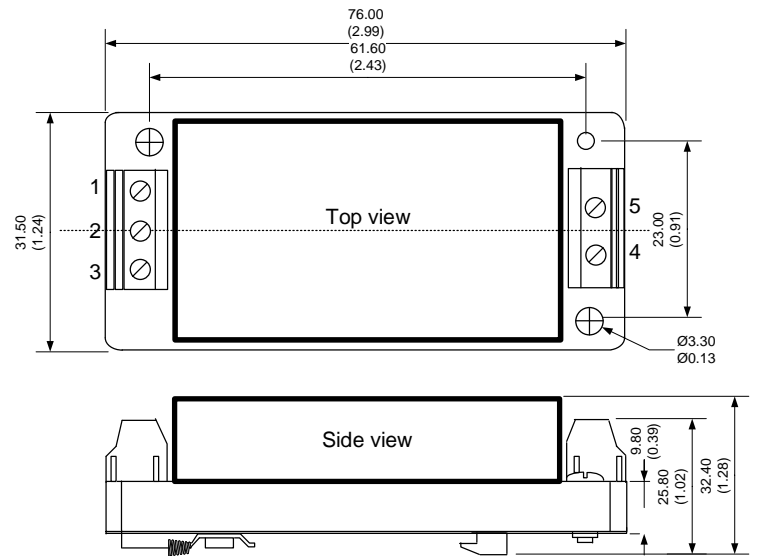


Dimensions: AMFE305150-LN42-ST



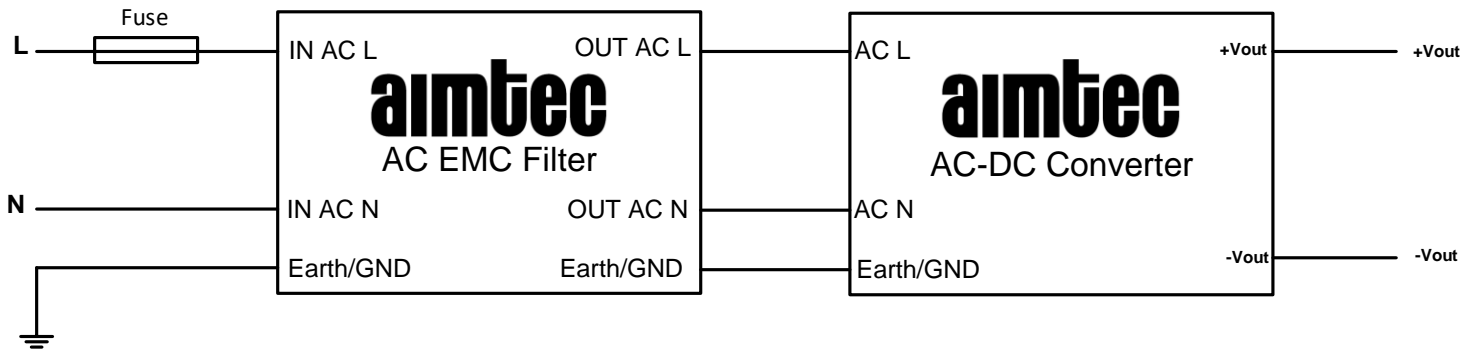
Dimensions: mm (inch)
Case Tolerance: ± 0.50 (0.02)
Wire gauge: 24-12AWG

Dimensions: AMFE305150-LN42-STD



Dimensions: mm (inch)
Case Tolerance: ± 0.50 (0.02)
Wire gauge: 24-12AWG

Application Circuit



NOTE: **1.** Datasheets are updated as needed and as such, specifications are subject to change without notice. Once printed or downloaded, datasheets are no longer controlled by Aimtec; refer to www.aimtec.com for the most current product specifications. **2.** Product labels shown, including safety agency certifications on labels, may vary based on the date manufactured. **3.** Mechanical drawings and specifications are for reference only. **4.** All specifications are measured at an ambient temperature of 25°C, humidity<75%, nominal input voltage and at rated output load unless otherwise specified. **5.** Aimtec may not have conducted destructive testing or chemical analysis on all internal components and chemicals at the time of publishing this document. CAS numbers and other limited information are considered proprietary and may not be available for release. **6.** This product is not designed for use in critical life support systems, equipment used in hazardous environments, nuclear control systems or other such applications which necessitate specific safety and regulatory standards other the ones listed in this datasheet. **7.** Warranty is in accordance with Aimtec's standard Terms of Sale available at www.aimtec.com.