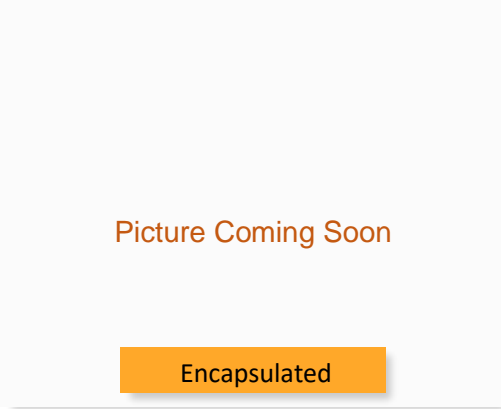




**AMFW40FT-JZ**



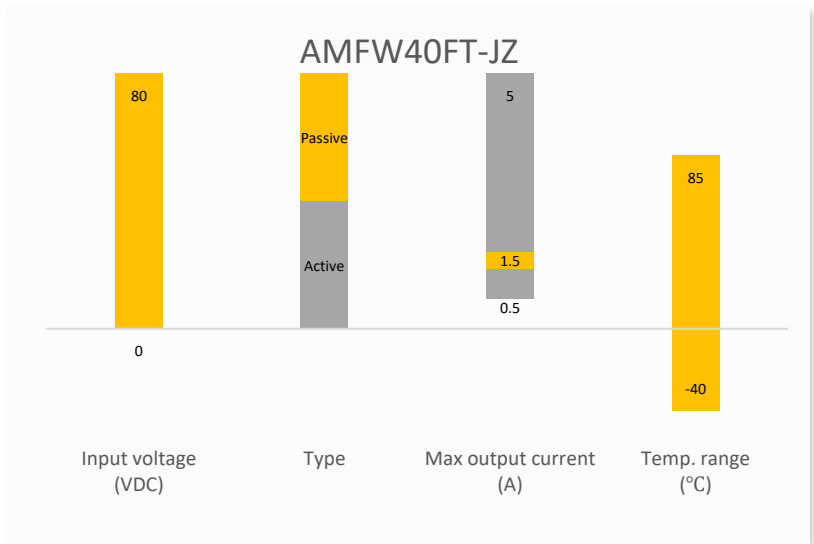
Aimtec's AMFW40FT-JZ series are designed to improve the system performance against the DC power interference. They are ideal for noise sensitive applications and can improve the EMS performance of DC-DC converters to  $\pm 4\text{KV}$ , IEC/EN61000-4-4 standard and reduce the ripple & noise at the DC-DC output.

With an input voltage range of 0-80VDC and operating temperature of -40 to +85°C this cost-effective design offers an easy plug and play solution to achieve simple EFT compliance.

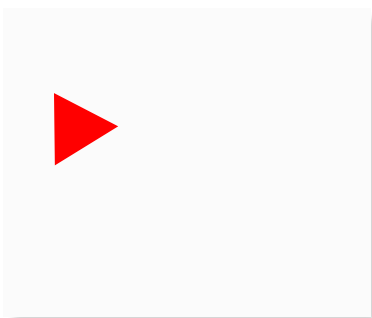
**Features**

- Wide Input: 0 - 80VDC
- Operating Temp: -40 °C to +85 °C
- EFT Attenuation: 30dB@2.5KHz / 5KHz / 100KHz / 1MHz
- Compact Size


**Summary**



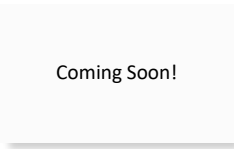
**Training**



Product Training Video  
(click to open)



Press Release



Coming Soon!

**Applications**



## Models & Specifications

### Models

Model	Input Voltage (VDC)	Max Current (A)	EFT Level (IEC/EN61000-4-4)
AMFW40FT-1.5JZ	0 ~ 80	1.5	±4KV

Note: Use suffix "ST" for chassis and suffix "STD" for DIN-Rail mounting (ex. AMFW40FT-1.5JZ-ST is chassis mounting and AMFW40FT-1.5JZ-STD is DIN-Rail mounting version).

### EFT Suppression Specifications

Parameters	Tested Conditions	Typical	Maximum	Units
Attenuation multiples	2.5KHz / 5KHz / 100KHz / 1MHz	30		dB

### General Specifications

Parameters	Conditions	Typical	Maximum	Units
Operating temperature		-40 to +85		°C
Storage temperature		-55 to +125		°C
D.C.R		160		mΩ
Case temperature rise		15		°C
Case material	Heat resistant black Plastic (flammability to UL 94V-0)			
Weight	PCB mountable models	20		g
	With optional -ST mounting plate	40		
	With optional -STD mounting plate	60		
Dimensions (L x W x H)	PCB mountable models	1.33 x 0.87 x 0.71 inches (33.70 x 22.20 x 18.00mm)		
	With optional -ST mounting plate	2.99 x 1.24 x 1.06 inches (76.00 x 31.50 x 26.80mm)		
	With optional -STD mounting plate	2.99 x 1.24 x 1.24 inches (76.00 x 31.50 x 31.40mm)		

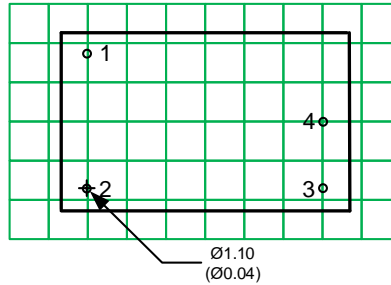
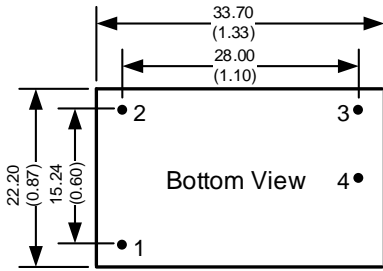
NOTE: All specifications in this datasheet are measured at an ambient temperature of 25°C, humidity<75%, nominal input voltage and at rated output load unless otherwise specified.

### Safety Specifications

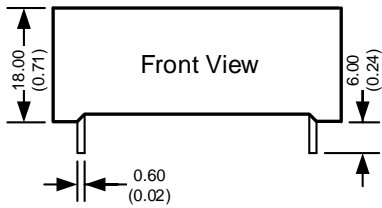
#### Parameters

Standards	AMFW40FT-1.5JZ can ensure Aimtec DC/DC converter module meet EFT level of IEC/EN 61000-4-4 ±4KV.
-----------	--

Dimensions

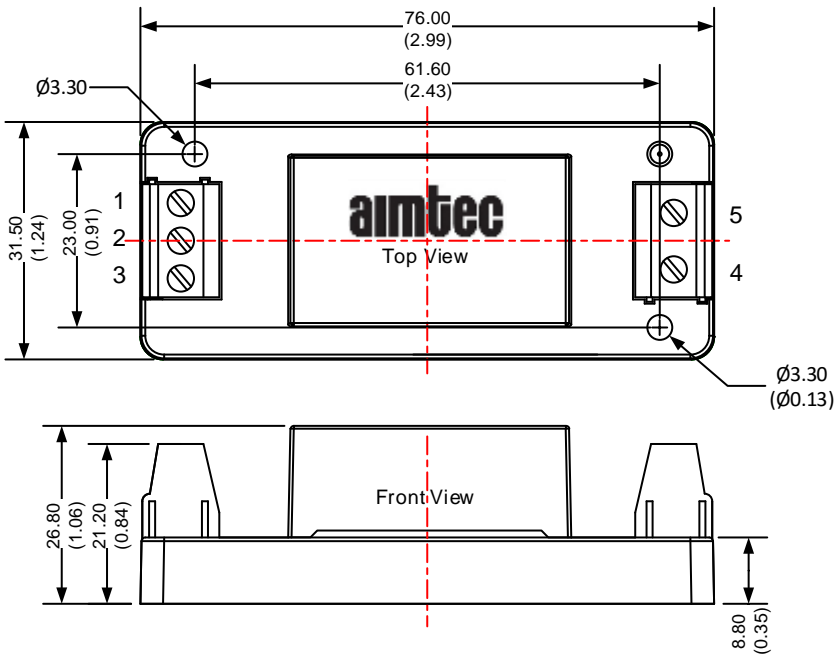


Pin Output Specifications	
Pin	Single
1	+V Input
2	-V Input
3	-V Output
4	+V Output



Dimensions mm (inch).  
Pin diameter tolerance  $\pm 0.1$  ( $\pm 0.004$ )  
Pin height tolerance  $\pm 0.5$  ( $\pm 0.02$ )

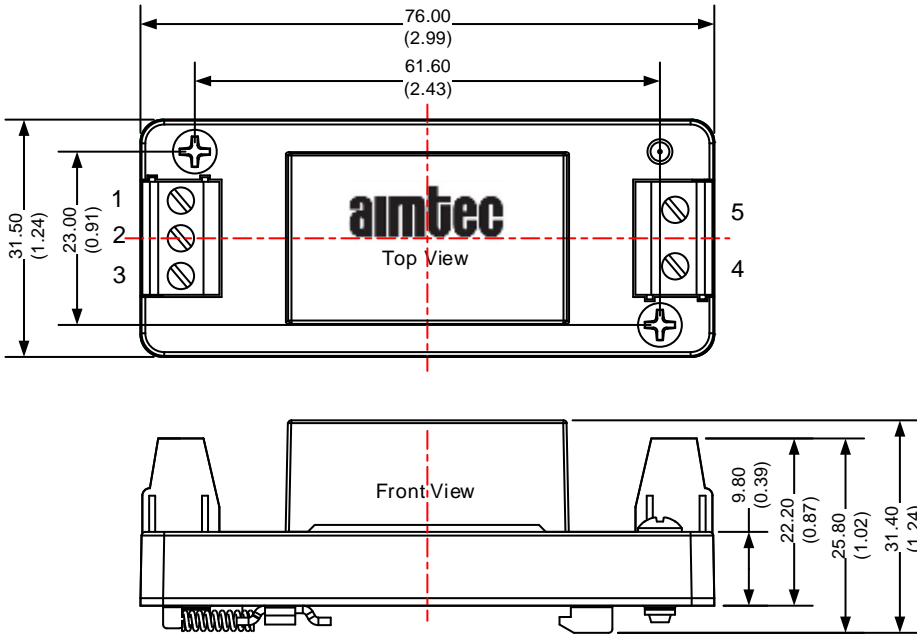
Dimensions with ST Optional



Pin Output Specifications	
Pin	Single
1	+V Input
2	NC
3	-V Input
4	-V Output
5	+V Output

Dimensions mm (inch)  
Wire range: 24-12 AWG  
General tolerances  $\pm 0.50$  ( $\pm 0.02$ )

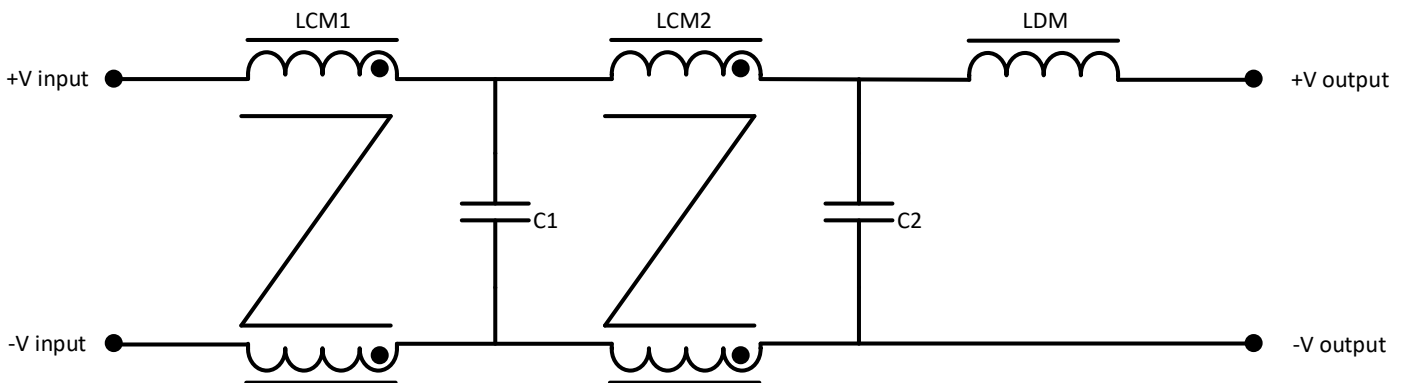
Dimensions with STD Optional



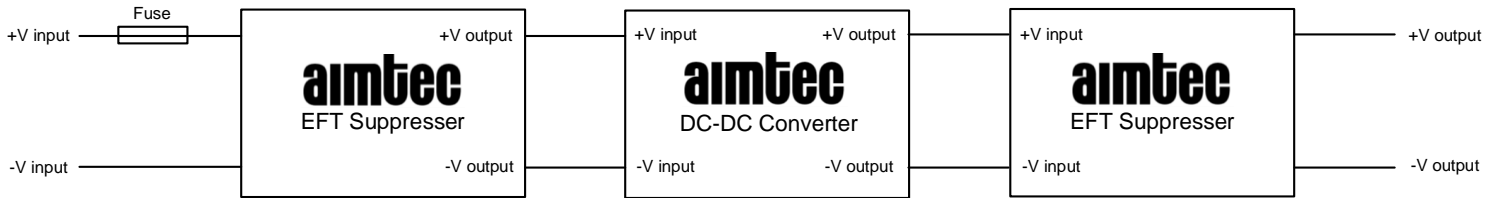
Pin Output Specifications	
Pin	Single
1	+V Input
2	NC
3	-V Input
4	-V Output
5	+V Output

Dimensions mm (inch)  
 Wire range: 24-12 AWG  
 General tolerances:  $\pm 0.50$  ( $\pm 0.02$ )

Internal Schematic



## Application Circuit



- Note:**
- 1. Fuse :** Due to the difference of the power module input current, the fuse of the recommended values, please refer to the Technical Manual of the power module.
  - 2. AMFW40FT-1.5JZ :** Add based on the actual apply.

**NOTE:** 1. Datasheets are updated as needed and as such, specifications are subject to change without notice. Once printed or downloaded, datasheets are no longer controlled by Aimtec; refer to [www.aimtec.com](http://www.aimtec.com) for the most current product specifications. 2. Product labels shown, including safety agency certifications on labels, may vary based on the date manufactured. 3. Mechanical drawings and specifications are for reference only. 4. All specifications are measured at an ambient temperature of 25°C, humidity < 75%, nominal input voltage and at rated output load unless otherwise specified. 5. Aimtec may not have conducted destructive testing or chemical analysis on all internal components and chemicals at the time of publishing this document. CAS numbers and other limited information are considered proprietary and may not be available for release. 6. This product is not designed for use in critical life support systems, equipment used in hazardous environments, nuclear control systems or other such applications which necessitate specific safety and regulatory standards other than the ones listed in this datasheet. 7. Warranty is in accordance with Aimtec's standard Terms of Sale available at [www.aimtec.com](http://www.aimtec.com).