



AMSR2-JZ



Aimtec introduces the new AMSR2-78JZ, a 2A Switching Regulator which is designed to be a plug and play alternative to the traditional 78xx series three-terminal linear regulators.

The series features an ultra-wide input voltage range of 6-36V, 0.1mA ultra-low no load input current, continuous short-circuit protection, low ripple noise (typ.: 30mV) and much more.

The new 2A series has operating temperature from -40°C to +85°C, meets EN62368 standard (Pending) and has delivers efficiencies up to 95%, eliminating the need for a heat sink and cutting additional design space and installation cost. This series is suitable for use in applications such as industrial controls, medical, mining, railway and other related industries.

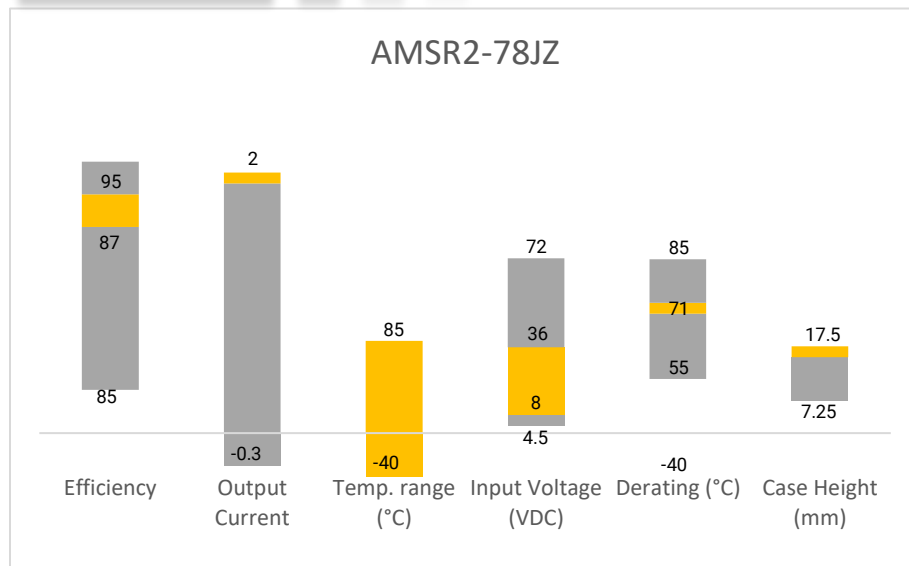
Features



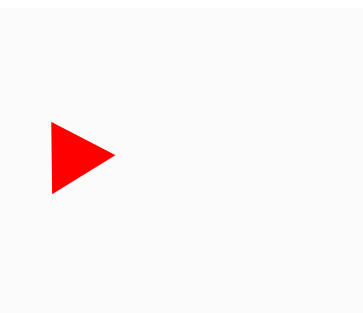
- Input Voltage up to 36V
- Operating Temp: -40 °C to +85 °C
- Ultra-low no load input current: 0.1mA typ.
- Low ripple & noise, 30mV typ.
- Continuous Short Circuit Protection
- Design to meet EN62368



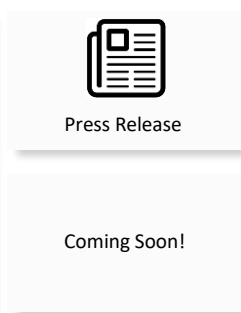
Summary



Training



Product Training Video
(click to open)



Application Notes

Applications



IoT



Industrial



Railway

Models & Specifications



Model	Input Voltage (VDC)	Output Voltage (VDC)	Output Current max (mA)	Maximum capacitive Load (μ F)	Efficiency Vin Max. @full load (%)	Efficiency Vin Min. @full load (%)
AMSR2-783.3JZ	24 (6 - 36)	3.3	2000	1800	83	87
AMSR2-7805JZ	24 (8 - 36)	5	2000	1000	87	90
AMSR2-7809JZ	24 (13 - 36)	9	2000	680	90	93
AMSR2-7812JZ	24 (16 - 36)	12	2000	470	92	94
AMSR2-7815JZ	24 (18 - 36)	15	2000	470	93	95

Input Specification				
Parameters	Conditions	Typical	Maximum	Units
Voltage range	See Models table above			
Filter	Capacitor			
Quiescent Current	Positive output	0.1	1	mA
Reverse Polarity Input	Prohibited			

Output Specification					
Parameters	Conditions	Typical	Maximum	Units	
Voltage accuracy	At 100% load	3.3V output	± 2	± 4	%
		Others	± 2	± 3	
Line regulation	Full load, main input range	± 0.4	± 0.8	%	
Load regulation	0-100% load	± 0.5	± 1.5	%	
Short circuit protection	Continuous, Auto recovery				
Temperature coefficient			± 0.03	%/ $^{\circ}$ C	
Ripple & Noise*	20MHz bandwidth	30	75	mV pk-pk	
Transient recovery time	25% load step change	0.2	1	ms	
Dynamic load stability	25% load step change	50	150	mV	

* 20MHz bandwidth

General Specifications				
Parameters	Conditions	Typical	Maximum	Units
Switching frequency	100% load	400		KHz
Operating temperature	See derating graph	-40 to +85		$^{\circ}$ C
Storage temperature		-55 to +125		$^{\circ}$ C
Lead temperature	1.5mm from case 10 sec.		260	$^{\circ}$ C
Cooling	Free air convection			

General Specifications (Continued)

Parameters	Conditions	Typical	Maximum	Units
Humidity	Non-condensing	95	% RH	
Case material	Black flame-retardant and heat-resistant plastic (UL94 V-0)			
Weight		3.8		g
Dimensions (L x W x H)	0.45 x 0.35 x 0.69 inches, 11.50 x 9.00 x 17.50mm			
MTBF	> 2000 000 hrs (MIL-HDBK -217F, $t=+25^{\circ}\text{C}$)/Full Load			

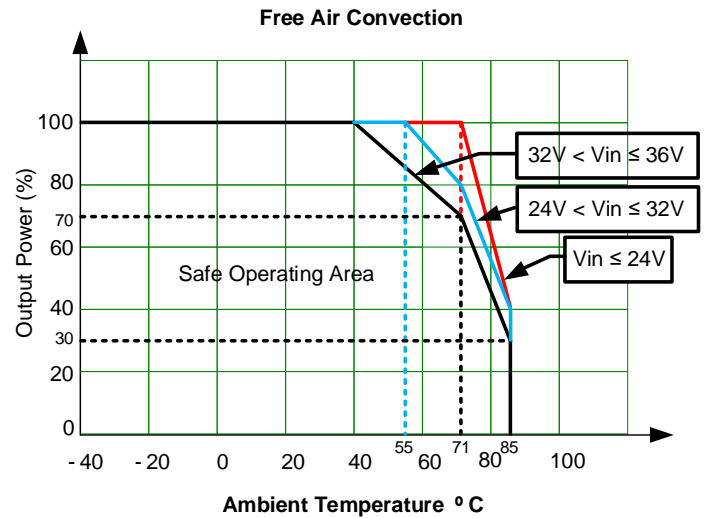
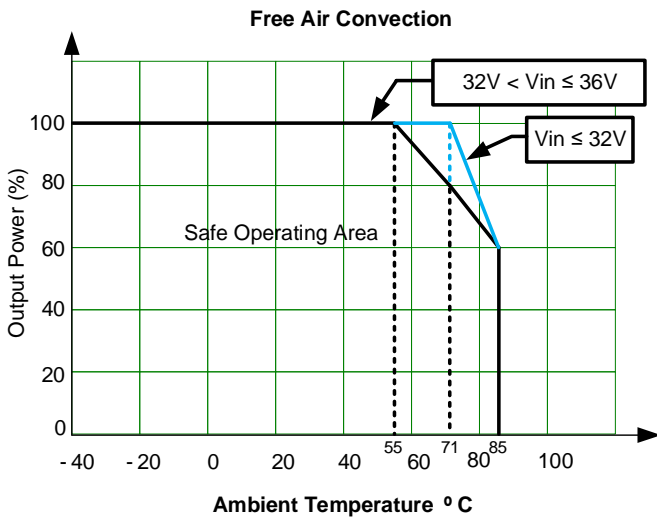
All specifications in this datasheet are measured at an ambient temperature of 25°C, humidity<75%, nominal input voltage and at rated output load unless otherwise specified.

Safety Specifications

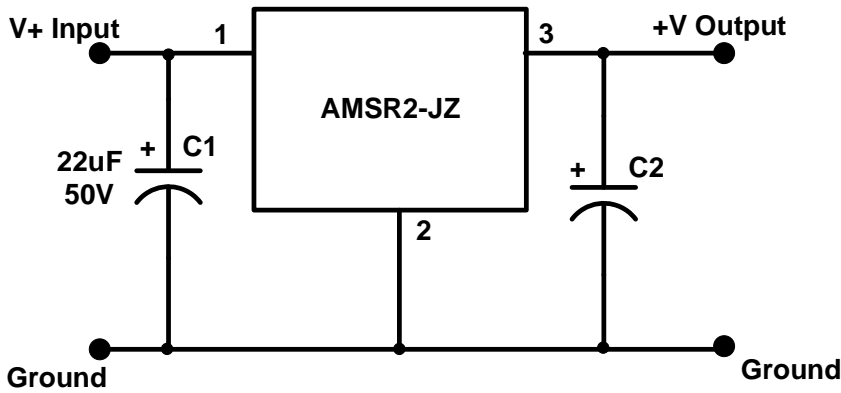
Parameters

Standards	EMI - Conducted and radiated emission	Design to meet CISPR32/EN55032, class B
	Information technology Equipment	Design to meet EN62368
	Electrostatic Discharge Immunity*	IEC 61000-4-2 Contact $\pm 6\text{KV}$, Criteria B
	RF, Electromagnetic Field Immunity*	IEC 61000-4-3 10V/m, Criteria A
	Electrical Fast Transient/Burst Immunity*	IEC 61000-4-4 $\pm 1\text{KV}$, Criteria B
	Surge Immunity*	IEC 61000-4-5 L-L $\pm 1\text{KV}$, Criteria B
	RF, Conducted Disturbance Immunity*	IEC 61000-4-6 3Vr.m.s, Criteria A

Derating

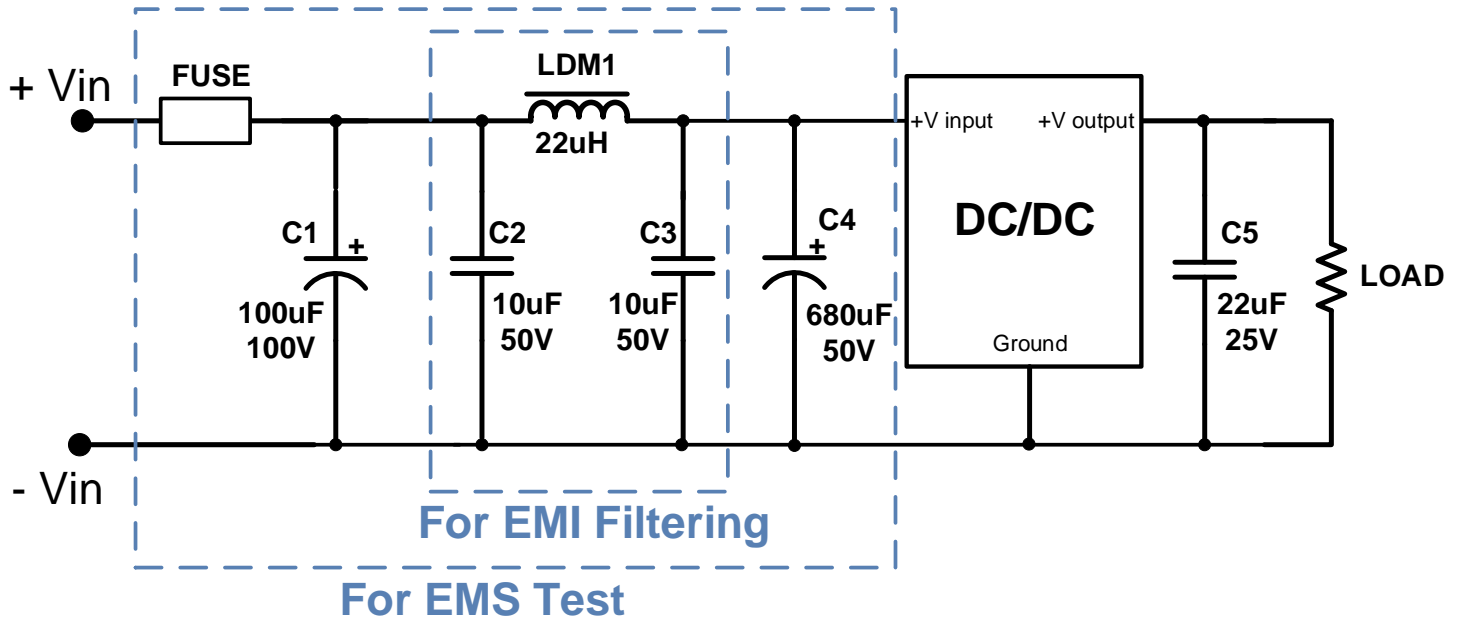


Typical Application Circuit

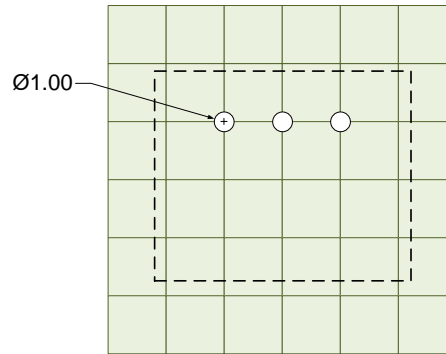
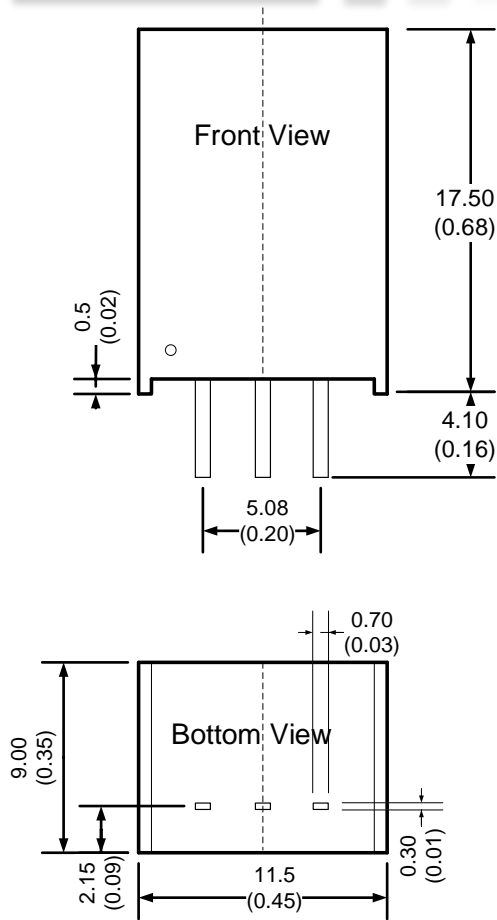


Model	C2
3.3 & 5V output models	22µF/10V
9V Input models	22µF/16V
12V & 15V output models	22µF/25V

EMC Recommended Circuit



Dimensions



Grid: 2.54 x 2.54mm
 Unit:mm[inch]
 General tolerances:±0.25mm [± 0.010inch]

Pin Output Specifications	
Pin	Positive output
1	+V Input
2	Ground
3	+V Output

NOTE: 1. Datasheets are updated as needed and as such, specifications are subject to change without notice. Once printed or downloaded, datasheets are no longer controlled by Aimtec; refer to www.aimtec.com for the most current product specifications. **2.** Product labels shown, including safety agency certifications on labels, may vary based on the date manufactured. **3.** Mechanical drawings and specifications are for reference only. **4.** All specifications are measured at an ambient temperature of 25°C, humidity<75%, nominal input voltage and at rated output load unless otherwise specified. **5.** Aimtec may not have conducted destructive testing or chemical analysis on all internal components and chemicals at the time of publishing this document. CAS numbers and other limited information are considered proprietary and may not be available for release. **6.** This product is not designed for use in critical life support systems, equipment used in hazardous environments, nuclear control systems or other such applications which necessitate specific safety and regulatory standards other the ones listed in this datasheet. **7.** Warranty is in accordance with Aimtec's standard Terms of Sale available at www.aimtec.com.