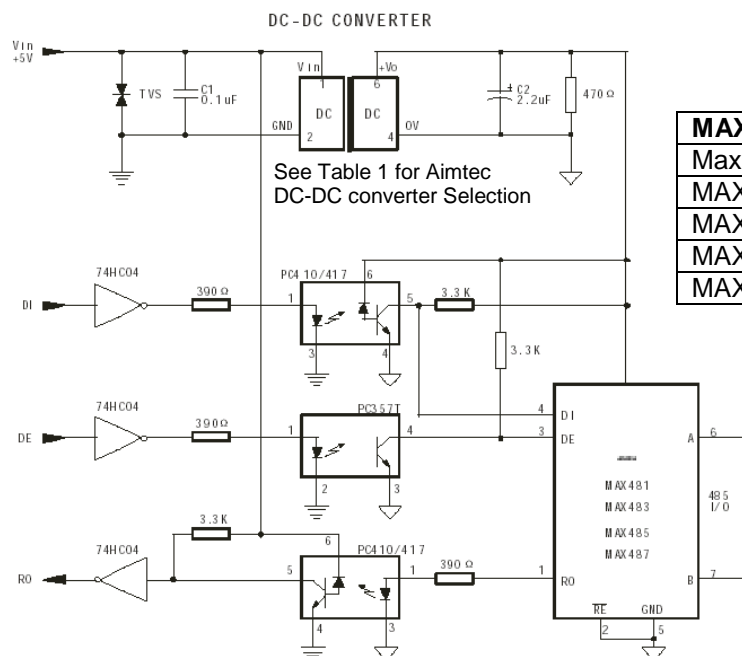


Typical Application of Isolated Output DC/DC Converters for RS-485 Communications



MAXIM to Analog Devices Inc. Equivalent Models	
Maxim	Analog Devices Inc
MAX481	ADM4852
MAX483	ADM483
MAX485	ADM485
MAX487	ADM4851

Utilizing Isolated DC-DC converters will improve EMI performance, prevent ground loops, and provide immunity from external noise.

Table 1

System Input Voltage	Input-Output Isolation	Standard Power, 1 Watt				Low Power, 0.25 Watt	
		Unregulated Output		Regulated Output		Unregulated Output	
		Model	Case	Model	Case	Model	Case
5VDC	1000 VDC	AM1S-0505SZ	SIP4				
		AM1D-0505SZ	SIP7	AM1DR-0505SZ	SIP7		
		AM1P-0505SZ	DIP8	AM1G-0505SZ	SIP8	AM1/4L-0505S-NZ	SMD
			AM1L-0505S-NZ	SMD	AM1/4S-0505SZ	SIP4	
	3000 VDC	AM1S-0505SH30Z	SIP4				
		AM1D-0505SH30Z	SIP7	AM1DR-0505SH30Z	SIP7		
		AM1P-0505SH30Z	DIP8	AM1G-0505SH30Z	SIP8	AM1/4L-0505SH30-NZ	SMD
		AM1L-0505SH30-NZ	SMD			AM1/4S-0505SH30Z	SIP4
	6000 VDC	AM1D-0505SH60Z	SIP7				
AM1N-0505SH60-NZ		DIP24					
12VDC	1000 VDC	AM1S-1205SZ	SIP4				
		AM1D-1205SZ	SIP7	AM1DR-1205SZ	SIP7		
		AM1P-1205SZ	DIP8	AM1G-1205SZ	SIP8	AM1/4L-1205S-NZ	SMD
			AM1L-1205S-NZ	SMD	AM1/4S-1205SZ	SIP4	
	3000 VDC	AM1S-1205SH30Z	SIP4				
		AM1D-1205SH30Z	SIP7	AM1DR-1205SH30Z	SIP7		
		AM1P-1205SH30Z	DIP8	AM1G-1205SH30Z	SIP8	AM1/4L-1205SH30-NZ	SMD
		AM1L-1205SH30-NZ	SMD			AM1/4S-1205SH30Z	SIP4
	6000 VDC	AM1D-1205SH60Z	SIP7				
AM1N-1205SH60-NZ		DIP24					
24VDC	1000 VDC	AM1S-2405SZ	SIP4				
		AM1D-2405SZ	SIP7	AM1DR-2405SZ	SIP7		
		AM1P-2405SZ	DIP8	AM1G-2405SZ	SIP8	AM1/4L-2405S-NZ	SMD
			AM1L-2405S-NZ	SMD	AM1/4S-2405SZ	SIP4	
	3000 VDC	AM1S-2405SH30Z	SIP4				
		AM1D-2405SH30Z	SIP7	AM1DR-2405SH30Z	SIP7	AM1/4L-2405SH30-NZ	SMD
		AM1P-2405SH30Z	DIP8	AM1G-2405SH30Z	SIP8	AM1/4S-2405SH30Z	SIP4
	6000 VDC	AM1D-2405SH60Z	SIP7				
Case Types							
SMD		SMD		SIP4		DIP8	
SIP8		SIP7					

Notes: Information furnished is believed to be accurate and reliable. However, Aimtec Inc. assumes no responsibility for the consequences of use of such information nor for any infringement of patents or other rights of third parties which may result from its use. No license is granted by implication or otherwise under any patent or patent rights of Aimtec Inc. Specifications mentioned in this publication are subject to change without notice. This publication supersedes and replaces all information previously supplied. Aimtec Inc. Products are not authorized for use as critical components in life support devices or systems without express written approval of Aimtec Inc. © 2006 Aimtec Inc. – All Rights Reserved